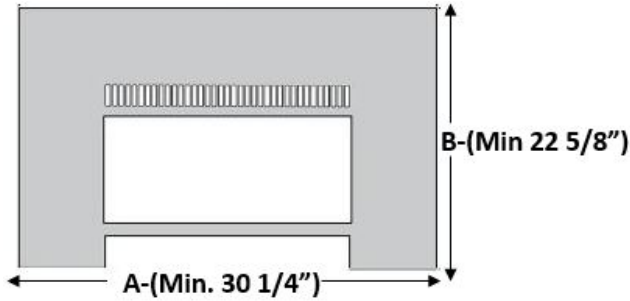


CUSTOM UNIVERSAL FACE ORDER FORM - 95200499

RADIANT PLUS MEDIUM GAS INSERT



3-SIDED #95200499-3



A(Width) = _____ inches
Minimum size allowed – 30-1/4"

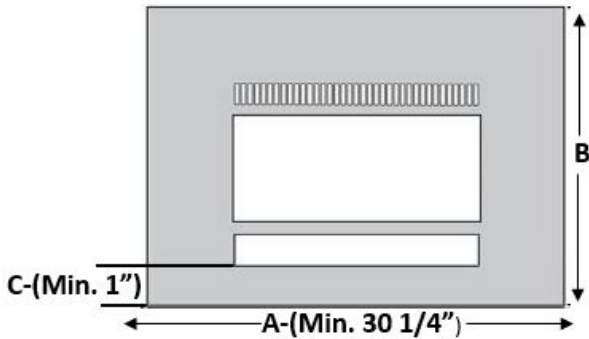
B(Height) = _____ inches
Minimum size allowed – 22-5/8"

ADDITIONAL FEES & OPTIONS

1" Return Flange - Standard

Oversize Fee: (A or B) > 47-3/4"

4-SIDED #95200499-4



A(Width) = _____ inches
Minimum size allowed – 30-1/4"

B(Height) = _____ inches

C = _____ inches
Minimum size allowed – 1"

ADDITIONAL FEES & OPTIONS

1" Return Flange - Standard

Oversize Fee: (A or B) > 47-3/4"

ALL FIELDS BELOW ARE REQUIRED

Store Name

Ship To Address

Authorized Store Representative (PRINT)

PO #

Phone

I Accept Responsibility for the Above Dimensions (SIGN)

Date

*Oversized Panels requiring special crating may be subject to additional fees. Contact your Sales Mgr.

Cancellation Policy: Cancellations made after 48 hours of submitting the order will be subject to a \$150 cancellation fee. This cancellation policy is in effect to cover the engineering and programming time it takes for each custom panel. Custom panels that have already been cut may not be canceled.

All custom universal face orders must include a valid P.O. number and will be made to the specifications on this sheet. Travis Industries assumes no liability for any incorrect information provided on the order form. **Allow for a 4-6 week lead-time. All custom panels that ship from outlying warehouses will have longer lead times.** If you have questions please contact your sales department at 800-654-1177.