

Scan QR Code for current pricing.

WARMING TRENDS BURNERS

BURNERS | PLATES | PANS | ACCESSORIES | MEDIA

REV: 06/09/26

LITERATURE

Item No	Description
ERFG	Emilyrose Media
WT-LOOKBOOK	Warming Trends Look Book
WTTRI	Warming Trends Tri-Fold
WTTRI-IGN	WT Ignition Systems Tri-Fold



SCAN QR CODE FOR LINK TO WARMING TRENDS RESOURCES WEBPAGE



SCAN QR CODE FOR LINK TO WARMING TRENDS INSTALLATION MANUAL

TABLE OF CONTENTS

WARMING TRENDS

- Circular & Square Plates 4
- Circular & Square Pans..... 5
- Original & Octagon Burners..... 6
- Rectangle Plates..... 8
- Rectangle Pans..... 9
- Tree-Style & Double Tree Burners..... 10
- H-Style & Linear Burners..... 11
- Ignition Kits 12
- Outdoor Fireplace Burners 18
- Firestorm Steel Log 21

ACCESSORIES

- Media..... 15
- Fire Pit Covers 16
- Wind Guards 20
- Media Calculator..... 22



**BURNERS, PANS &
IGNITION SYSTEMS**



**UNIVERSAL
BURNER KITS**

WARMING TRENDS®

**READY-TO-FINISH
FIRE PIT KITS**



AON FIRE TABLES



Visit all of our Warming Trends sections to see everything Warming Trends has to offer. Not just burners and pans, but also complete Universal Burner Kits, Ready-to-Finish Fire Pit Kits, and new Aon Fire Tables.

WARMING TRENDS[®]



TWICE THE FLAME



ALL BRASS COMPONENTS



LIFETIME WARRANTY

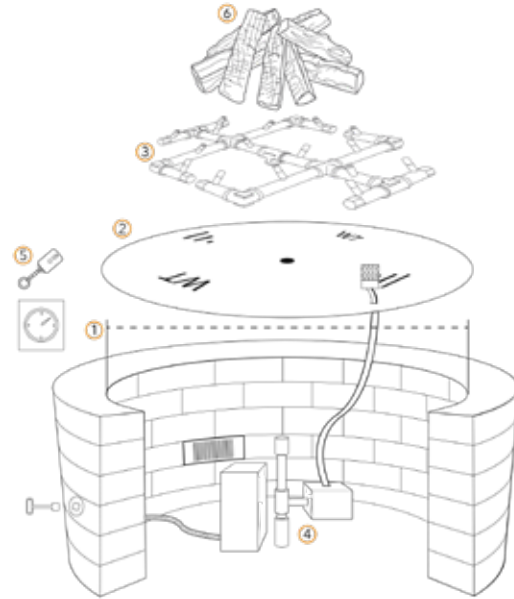


MADE IN THE USA

WT BURNERS

Six Easy Steps to Purchasing

1. Measure the opening of your fire pit.
2. Choose the corresponding Plate or Pan size. (Pans come standard with a 2" welded sidewall.)
3. Choose Burner and Fuel Type. (Natural Gas or Liquid Propane)
4. Choose your Ignition System: match lit, push button, mercury, battery, or electric on/off switch.
5. Choose Electronic Add-Ons: remote control options, dial timers, and emergency stops.
6. Complete the look with Accessories: ceramic logs, lava rock, volcanic stone or fire glass.



When ordering aluminum plates, please specify the exact size plate you would like for your project. Each plate is specifically cut for each order. Please allow 48 hours for shipping.

**Standard Ring Burner
with 180k BTU's**

**U180 CROSSFIRE Brass Burner
with 180k BTU's**



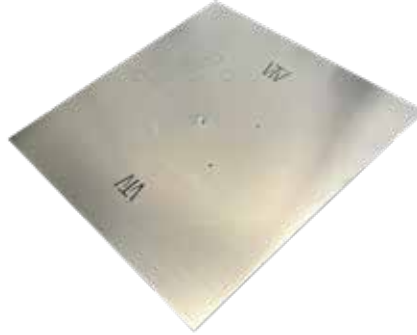
PLATES

Select a Warming Trends Plate or Pan, Crossfire™ Burner (see pages 6-7) and Ignition Kit (see pages 12-13) to make a complete burner system. Add your Media/Logs (see page 15).

Warming Trends heavy duty aluminum mounting plates provide a solid surface to support your burner and media choice.



Circular Plate



Square Plate

NOTE: It is recommended to incorporate 1 vent on at least two opposing sides (2 vents total) at a minimum size of 18 sq. inches each (Example: 3" x 6" or larger). Installation of the vents in the mid to lower area of the enclosure is recommended. Always consult with local municipality regarding any local code requirements. See page 14 for Vent Kit, item number FPVK.

PLATES

*Cut to Fit plates are not returnable. Recommended 1/2" narrower than actual opening.

Item # - Circular	Item # - Square	Plate Size	Lava Rock [§] (Max Weight) (Circular/Square)	Retail
ALPL1218C*	ALPL1218S*	12.00" - 17.99" Plate	20/25 lbs.	\$181
ALPL18C	ALPL18S	18" Plate	20/25 lbs.	\$120
ALPL1824C*	ALPL1824S*	18.01" - 23.99" Plate	40/45 lbs.	\$296
ALPL24C	ALPL24S	24" Plate	40/45 lbs.	\$232
ALPL2430C*	ALPL2430S*	24.01" - 29.99" Plate	60/70 lbs.	\$378
ALPL29.25C	-	29.25" Plate	60/- lbs.	\$378
ALPL30C	ALPL30S	30" Plate	60/70 lbs.	\$310
ALPL3036C*	ALPL3036S*	30.01" - 35.99" Plate	80/100 lbs.	\$570
ALPL35.5C	-	35.50" Plate	80/- lbs.	\$570
ALPL36C	ALPL36S	36" Plate	80/100 lbs.	\$467
ALPL3642C*	ALPL3642S*	36.01" - 41.99" Plate	110/140 lbs.	\$684
ALPL42C	ALPL42S	42" Plate	110/140 lbs.	\$624
ALPL4248C*	ALPL4248S*	42.01" - 47.99" Plate	145/180 lbs.	\$860
ALPL48C	ALPL48S	48" Plate	145/180 lbs.	\$802
ALPL4860C*	ALPL4860S*	48.01" - 59.99" Plate	225/180 lbs.	\$1,321
ALPL60C	ALPL60S	60" Plate	225/280 lbs.	\$1,228
ALPLCUST	ALPLCUST	Custom Plate (We can manufacture any custom shape or size.)		Call Empire

§ Fireglass or Lava Stones = 2x Lava Rock Max Weight

INSTALLATION COLLAR

Installation collars provide support for the aluminum plate, allowing for any size plate to be used for a range of sizes. Order multiples depending on the size of the fire pit.

Item #	Description	Retail
COLLAR	19" Universal Flexible Installation Collar (3" Range)	\$32
COLLARF	19" Flexible No Drill Collar (4" Range)	\$34



COLLAR



COLLARF

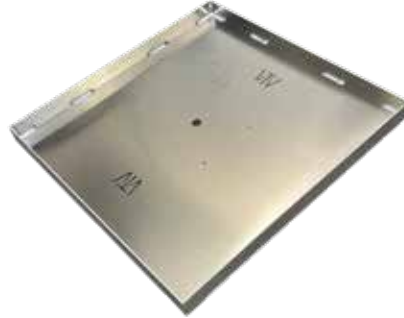
PANS

Select a Warming Trends Plate or Pan, Crossfire™ Burner (see pages 6-7) and Ignition Kit (see pages 12-13) to make a complete burner system. Add your Media/Logs (see page 15).

Using the Warming Trends heavy duty aluminum mounting pan with 2" sidewalls will provide a solid surface to support your burner and media choice.



Circular Pan
with 2" Sidewall



Square Pan
with 2" Sidewall

NOTE: It is recommended to incorporate 1 vent on at least two opposing sides (2 vents total) at a minimum size of 18 sq. inches each (Example: 3"x 6" or larger). Installation of the vents in the mid to lower area of the enclosure is recommended. Always consult with local municipality regarding any local code requirements. See page 14 for Vent Kit, item number FPVK.

PANS (with 2" Sidewalls) *Cut to Fit plates are not returnable. Recommended 1/2" narrower than actual opening.

Item # - Circular	Item # - Square	Pan Size	Lava Rock [§] (Max Weight) (Circular/Square)	Retail
ALPAN1218C*	ALPAN1218S*	12.00" - 17.99" Pan	20/25 lbs.	\$315
ALPAN18C	ALPAN18S	18" Pan	20/25 lbs.	\$269
ALPAN1824C*	ALPAN1824S*	18.01" - 23.99" Pan	40/45 lbs.	\$386
ALPAN24C	ALPAN24S	24" Pan	40/45 lbs.	\$339
ALPAN2430C*	ALPAN2430S*	24.01" - 29.99" Pan	60/70 lbs.	\$476
ALPAN30C	ALPAN30S	30" Pan	60/70 lbs.	\$427
ALPAN3036C*	ALPAN3036S*	30.01" - 35.99" Pan	80/100 lbs.	\$674
ALPAN36C	ALPAN36S	36" Pan	80/100 lbs.	\$598
ALPAN3642C*	ALPAN3642S*	36.01" - 41.99" Pan	110/140 lbs.	\$805
ALPAN42C	ALPAN42S	42" Pan	110/140 lbs.	\$749
ALPAN4248C*	ALPAN4248S*	42.01" - 47.99" Pan	145/180 lbs.	\$978
ALPAN48C	ALPAN48S	48" Pan	145/180 lbs.	\$923
ALPAN4860C*	ALPAN4860S*	48.01" - 59.99" Pan	225/280 lbs.	\$1,436
ALPAN60C	ALPAN60S	60" Pan	225/280 lbs.	\$1,353
ALPANCUST	ALPANCUST	Custom Pan (We can manufacture any custom shape or size.)		Call Empire

Taller sidewalls and top lips available for Special Order.

§ Fireglass or Lava Stones = 2x Lava Rock Max Weight

INSTALLATION COLLAR

Installation collars provide support for the aluminum pan. Order multiples depending on the size of the fire pit.



Video Link
Plate vs Pan

Item #	Description	Retail
COLLAR	19" Universal Flexible Installation Collar (3" Range)	\$32
COLLARF	19" Flexible No Drill Collar (4" Range)	\$34



COLLAR



COLLARF

ORIGINAL & OCTAGON BURNERS

Select a Warming Trends Plate or Pan (see pages 4-5), Crossfire™ Burner and Ignition Kit (see pages 12-13) to make a complete burner system. Add your Media/Logs (see pages 15).

ORIGINAL



CFB60
7 3/8" L x 5 7/8" D



CFB84
7 3/8" L x 5 7/8" D



U100
11 3/4" L x 10 1/2" D



U140
13 1/2" L x 13 1/2" D



U180
17 3/4" L x 15 1/2" D



U240
20 1/2" L x 19 1/2" D



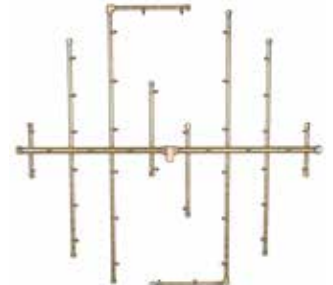
U300
24 3/4" L x 22" D



CFB300
31" L x 31 3/8" D



U360
29 1/2" L x 28 1/2" D



U420
38 1/4" L x 34 1/2" D



U560
47 3/4" L x 45 3/4" D

OCTAGON



CFBO140
10 3/4" L x 13 3/4" D



CFBO360
29 1/2" L x 27 1/2" D

The Warming Trends® Patent-Pending CROSSFIRE® Brass Burner utilizes cutting-edge technology to produce a taller, brighter, full flame, replicating a natural, wood burning fire – all while consuming less gas. Made from corrosion resistant and sustainable brass, CROSSFIRE® Brass Burners will not rust and come with a lifetime warranty. All burners are manufactured and assembled in the United States.

Select a Warming Trends Plate or Pan (see pages 4-5), Crossfire™ Burner and Ignition Kit (see pages 12-13) to make a complete burner system. Add your Media/Logs (see pages 15).

ORIGINAL BURNERS

Item # - NG	Item # - LP	Burner BTU	Minimum Fire Pit Opening	Inlet	Retail
CFB60NG	CFB60LP	60,000	17"	1/2"	\$299
CFB84NG	CFB84LP	84,000	17"	1/2"	\$340
U100	U100	100,000	18"	1/2"	\$465
U140	U140	140,000	24"	1/2"	\$649
U180	U180	180,000	30"	1/2"	\$780
U240	U240	240,000	30"	1/2"	\$923
U300	U300	300,000	36"	1/2"	\$1,265
CFB300NG	CFB300LP	300,000	40"	3/4"	\$1,265
U360	U360	360,000	42"	1/2"	\$1,474
U420	U420	420,000	48"	1/2"	\$1,672
U560	U560	560,000	60"	1/2"	\$1,987
CFBCUSTNG*	CFBCUSTLP*	Custom BTU Burner - Custom Size and Shape			Call Empire

OCTAGON BURNERS

Item # - NG	Item # - LP	Burner BTU	Minimum Fire Pit Opening	Inlet	Retail
CFBO140NG	CFBO140LP	140,000	18"	1/2"	\$809
CFBO360NG	CFBO360LP	360,000	42"	3/4"	\$1,907
CFBOCUSTNG*	CFBOCUSTLP*	Custom BTU Burner - Custom Size & Shape			Call Empire

*Special Order - Orders shipping direct from Warming Trends in Colorado, actual freight charges will apply.

Call Empire Distributing for quote on Custom Burner.

- For outdoor/external use only.
- Modification of product will void any certification and warranty.
- Follow all installation instructions and local codes.
- Recommended to be installed by a certified plumbing professional.
- All dimensions are true and reflect Warming Trends' specifications as of the revision date.



NEW UNIVERSAL BURNER

The Warming Trends® Patent-Pending CROSSFIRE® Brass Burner utilizes cutting-edge technology to produce a taller, brighter, full flame, replicating a natural, wood burning fire – all while consuming less gas. Made from corrosion resistant and sustainable brass, CROSSFIRE® Brass Burners will not rust and come with a lifetime warranty. All burners are manufactured and assembled in the United States.

RECTANGLE PLATES

Select a Warming Trends Rectangle Plate or Pan, Crossfire™ Tree-Style, Double Tree, H-Style, or Linear Burner (see pages 10-11) and Ignition Kit (see pages 12-13) to make a complete burner system. Add your Media/Logs (see pages 15).

Warming Trends heavy duty aluminum mounting plates provide a solid surface to support your burner and media choice.



Rectangle Plate

NOTE: It is recommended to incorporate 1 vent on at least two opposing sides (2 vents total) at a minimum size of 18 sq. inches each (Example: 3"x 6" or larger). Installation of the vents in the mid to lower area of the enclosure is recommended. Always consult with local municipality regarding any local code requirements. See page 14 for Vent Kit, item number FPVK.

RECTANGLE PLATES - CUT TO FIT (Note: Cut to Fit plates are not returnable.)

Item #	Description	Cut Range Length	Cut Range Width	Retail
ALPL3618	Aluminum Rectangle Plate	24" - 36"	6" - 18"	\$341
ALPL3624	Aluminum Rectangle Plate	24" - 36"	18" - 24"	\$441
ALPL4818	Aluminum Rectangle Plate	36" - 48"	6" - 18"	\$441
ALPL4824	Aluminum Rectangle Plate	36" - 48"	18" - 24"	\$525
ALPL4832	Aluminum Rectangle Plate	36" - 48"	24" - 32"	\$670
ALPL6018	Aluminum Rectangle Plate	48" - 60"	6" - 18"	\$541
ALPL6024	Aluminum Rectangle Plate	48" - 60"	18" - 24"	\$708
ALPL6032	Aluminum Rectangle Plate	48" - 60"	24" - 32"	\$828
ALPL7218	Aluminum Rectangle Plate	60" - 72"	6" - 18"	\$829
ALPL7224	Aluminum Rectangle Plate	60" - 72"	18" - 24"	\$1,024
ALPLCUST	Custom Aluminum Plate (We can manufacture any custom shape or size.)			Call Empire

INSTALLATION COLLAR

Installation collars provide support for the aluminum plate, allowing for any size plate to be used for a range of sizes. Order multiples depending on the size of the fire pit.

Item #	Description	Retail
COLLAR	19" Universal Flexible Installation Collar (3" Range)	\$32
COLLARF	19" Flexible No Drill Collar (4" Range)	\$34



COLLAR



COLLARF

RECTANGLE PANS

Select a Warming Trends Rectangle Plate or Pan, Crossfire™ Tree-Style, Double Tree, H-Style, or Linear Burner (see pages 10-11) and Ignition Kit (see pages 12-13) to make a complete burner system. Add your Media/Logs (see pages 15).

Using the Warming Trends heavy duty aluminum mounting pan with 2" sidewalls will provide a solid surface to support your burner and media choice.



Rectangle Pan

NOTE: It is recommended to incorporate 1 vent on at least two opposing sides (2 vents total) at a minimum size of 18 sq. inches each (Example: 3"x 6" or larger). Installation of the vents in the mid to lower area of the enclosure is recommended. Always consult with local municipality regarding any local code requirements. See page 14 for Vent Kit, item number FPVK.

RECTANGLE PANS - CUT TO FIT (with 2" Welded Sidewalls) (Note: Cut to Fit pans are not returnable.)

Item #	Description	Cut Range Length	Cut Range Width	Retail
ALPAN3618	Aluminum Rectangle Pan	24" - 36"	6" - 18"	\$512
ALPAN3624	Aluminum Rectangle Pan	24" - 36"	18" - 24"	\$618
ALPAN4818	Aluminum Rectangle Pan	36" - 48"	6" - 18"	\$624
ALPAN4824	Aluminum Rectangle Pan	36" - 48"	18" - 24"	\$678
ALPAN4832	Aluminum Rectangle Pan	36" - 48"	24" - 32"	\$989
ALPAN6018	Aluminum Rectangle Pan	48" - 60"	6" - 18"	\$735
ALPAN6024	Aluminum Rectangle Pan	48" - 60"	18" - 24"	\$907
ALPAN6032	Aluminum Rectangle Pan	48" - 60"	24" - 32"	\$1,103
ALPAN7218	Aluminum Rectangle Pan	60" - 72"	6" - 18"	\$1,084
ALPAN7224	Aluminum Rectangle Pan	60" - 72"	18" - 24"	\$1,323
ALPANCUST	Custom Aluminum Pan (We can manufacture any custom shape or size.)			Call Empire

INSTALLATION COLLAR

Installation collars provide support for the aluminum pan. Order multiples depending on the size of the fire pit.

Item #	Description	Retail
COLLAR	19" Universal Flexible Installation Collar (3" Range)	\$32
COLLARF	19" Flexible No Drill Collar (4" Range)	\$34



COLLAR



COLLARF

TREE-STYLE & DOUBLE TREE BURNERS

Select a Warming Trends Rectangle Plate or Pan (see pages 8-9), Crossfire™ Burner and Ignition Kit (see pages 12-13) to make a complete burner system. Add your Media/Logs (see pages 15).

TREE-STYLE



DOUBLE TREE



TREE-STYLE BURNERS

Item # - NG	Item # - LP	Burner BTU	Burner Dimensions	Minimum Fire Pit Opening	Inlet	Retail	
UT110	UT110	110,000	7" x 13 1/2"	11" x 20"	1/2"	\$561	
UT170	UT170	170,000	7" x 22 3/4"	11" x 28"	1/2"	\$878	
UT230	UT230	230,000	7" x 30 1/2"	11" x 36"	1/2"	\$1,090	
UT290	UT290	290,000	7" x 38 3/4"	14" x 44"	1/2"	\$1,306	
UT350	UT350	350,000	7" x 53 3/4"	14" x 58"	1/2"	\$1,819	
UT410	UT410	410,000	7" x 62 1/2"	14" x 66"	1/2"	\$2,129	
UT470	UT470	470,000	7" x 71 3/4"	14" x 74"	1/2"	\$2,399	
CFBTCUSTNG*	CFBTCUSTLP*	Custom BTU Tree-Style Burner - Custom Size and Shape					Call Empire

DOUBLE TREE BURNERS

Item # - NG	Item # - LP	Burner BTU	Burner Dimensions	Minimum Fire Pit Opening	Inlet	Retail	
CFBDT160NG	CFBDT160LP	160,000	10" x 15 1/2"	17" x 22"	1/2"	\$775	
CFBDT240NG	CFBDT240LP	240,000	10" x 23 1/2"	17" x 29"	1/2"	\$1,172	
CFBDT320NG	CFBDT320LP	320,000	10 1/4" x 34 3/4"	18" x 41"	3/4"	\$1,760	
CFBDT400NG	CFBDT400LP	400,000	10 1/4" x 44"	18" x 50"	3/4"	\$2,203	
CFBDT480NG	CFBDT480LP	480,000	10 1/4" x 52 1/2"	18" x 58"	3/4"	\$2,644	
CFBDTCUSTNG*	CFBDTCUSTLP*	Custom BTU Double Tree-Style Burner - Custom Size and Shape					Call Empire

*Special Order - Orders shipping direct from Warming Trends in Colorado, actual freight charges will apply.

Call Empire Distributing for custom quote on a burner.

- For outdoor/exterior use only.
- Modification of product will void any certification and warranty.
- Follow all installation instructions and local codes.
- Recommended to be installed by a certified plumbing professional.
- All dimensions are true and reflect Warming Trends' specifications as of the revision date.

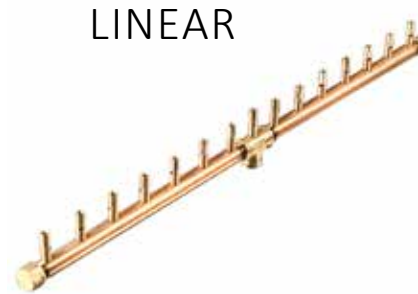
The Warming Trends® Patent-Pending CROSSFIRE® Brass Burner utilizes cutting-edge technology to produce a taller, brighter, full flame, replicating a natural, wood burning fire – all while consuming less gas. Made from corrosion resistant and sustainable brass, CROSSFIRE® Brass Burners will not rust and come with a lifetime warranty. All burners are manufactured and assembled in the United States.

H-STYLE & LINEAR BURNERS

Select a Warming Trends Rectangle Plate or Pan (see pages 8-9), Crossfire™ Burner and Ignition Kit (see pages 12-13) to make a complete burner system. Add your Media/Logs (see pages 15).



H-STYLE



LINEAR

H-STYLE BURNERS

Item # - NG	Item # - LP	Burner BTU	Burner Dimensions	Minimum Fire Pit Opening	Inlet	Retail	
UH120	UH120	120,000	7 1/2" x 17 5/8"	15" x 28"	1/2"	\$704	
UH160	UH160	160,000	7 1/2" x 23 1/2"	17" x 34"	1/2"	\$837	
UH200	UH200	200,000	9 1/2" x 29 1/2"	17" x 40"	1/2"	\$958	
UH240	UH240	240,000	9 1/2" x 35 1/2"	17" x 46"	1/2"	\$1,100	
UH300	UH300	300,000	14 1/4" x 42 1/4"	25" x 56"	1/2"	\$1,424	
UH340	UH340	340,000	14 1/4" x 48 1/4"	25" x 62"	1/2"	\$1,595	
CFBHCUSTNG*	CFBHCUSTLP*	CUSTOM H-Style Burner					Call Empire

LINEAR BURNERS

Item # - NG	Item # - LP	Burner BTU	Length	Minimum Fire Pit Opening	Inlet	Retail	
-	CFBL90LP**	90,000	18"	6" x 20"	1/2"	\$381	
CFBL110NG	CFBL110LP	110,000	22"	6" x 26"	1/2"	\$487	
CFBL130NG	CFBL130LP	130,000	26"	8" x 32"	1/2"	\$568	
UL150	UL150	150,000	29 3/4"	8" x 38"	1/2"	\$629	
CFBL170NG	CFBL170LP	170,000	34"	8" x 40"	1/2"	\$679	
CFBL190NG	CFBL190LP	190,000	38"	8" x 44"	1/2"	\$729	
CFBL210NG	CFBL210LP	210,000	42"	10" x 50"	1/2"	\$810	
U250	U250	250,000	49 3/4"	10" x 56"	1/2"	\$909	
CFBL270NG	CFBL270LP	270,000	54"	12" x 62"	1/2"	\$1,017	
CFBLCUSTNG*	CFBLCUSTLP*	CUSTOM Linear Burner					Call Empire

*Special Order - Orders shipping direct from Warming Trends in Colorado, actual freight charges will apply.

Call Empire Distributing for custom quote on a burner.

- For outdoor/interior use only.
- Modification of product will void any certification and warranty.
- Follow all installation instructions and local codes.
- Recommended to be installed by a certified plumbing professional.
- All dimensions are true and reflect Warming Trends' specifications as of the revision date.

The Warming Trends® Patent-Pending CROSSFIRE® Brass Burner utilizes cutting-edge technology to produce a taller, brighter, full flame, replicating a natural, wood burning fire – all while consuming less gas. Made from corrosion resistant and sustainable brass, CROSSFIRE® Brass Burners will not rust and come with a lifetime warranty. All burners are manufactured and assembled in the United States.

IGNITION KITS

MATCH LIGHT, PUSH BUTTON, MERCURY SAFETY PILOT



Match Light Key Valve Kit
FK1



Match Light Key Valve Kit
FK2



Adjustable Key Valve Extension
FP.EXT



Push Button Ignition
w/ Paver Block Mounting Bracket
PBK-PBMBR



Mercury Safety Pilot Ignition
MERC

MATCH LIGHT

Item #	Description	BTU's	Retail
FK1	Key Valve Kit, FK1 (Includes: 36" L x 3/4" Whistle Free Flex Line; 3/4" Connector; 3/4" Key Valve; 12" & 3" Key)	up to 249,000	\$190
FK2	Key Valve Kit, FK2 (Includes: (2) 36" L x 3/4" Whistle Free Flex Lines, 3/4"-1/2" Reducing Nipple, (2) 3/4" T Fittings, (2) 3" L x 3/4" Pipe Nipple, 3/4" Key Valve, and 12" & 3" Key)	250,000+	\$416
FP.EXT	12" Adjustable Key Valve Extension with 1/2" Banded Coupling		\$16

PUSH BUTTON

Item #	Description	BTU's	Retail
PBMBRFK1	Push Button Ignition Kit with FK1 (Includes: Paver Mounting Bracket, PBK & FK1)	up to 249,000	\$426
PBMBRFK2	Push Button Ignition Kit with FK2 (Includes: Paver Mounting Bracket, PBK & FK2)	250,000+	\$641
PBK	Push Button Ignition Kit (Includes: Spark Igniter rod, wire, and Push Button Operated Control Module)		\$64
PBK-PBMBR	Push Button Ignition Kit w/ Mounting Bracket (Includes: Paver Mounting Bracket & PBK)		\$162

MERCURY SAFETY PILOT

Item #	Description	Retail
MERC-NG	Mercury Safety Pilot Ignition w/ Mounting Plate, NG (240K BTU)	\$839
MERC-LP	Mercury Safety Pilot Ignition w/ Mounting Plate, LP (240K BTU)	\$839
FKM1	Single Flex Line Kit for Mercury Ignition (Up to 250,000 BTU's)	\$124
FKM2	Dual Flex Line Kit for Mercury Ignition (Over 250,000 BTU's. Flame height will be reduced as BTU's increase.)	\$324

ELECTRONIC IGNITION

CARBON/COBALT/PLATINUM



Carbon 3V Electronic Ignition



Cobalt 12V Electronic Ignition



Platinum 24V Electronic Ignition

ELECTRONIC IGNITIONS *(Requires Match Light Kit FK1 or FK2 to complete)*

3V Electronic Ignition Kits are water resistant. Push Button (on/off). Requires (2) D Batteries or 120V outlet.

12V & 24V Electronic Ignition Kits are water resistant. **Does NOT include wall switch and remote.** Requires a 120V outlet.

Item # - NG	Item # - LP	Description	For use with	Retail
105772	105773	Carbon 3V Battery Ignition Kit (360K BTU)	1/2" Burner Inlet	\$1,319
105774	105775	Carbon 3V Direct Wire Electronic Ignition Kit (360K BTU)	1/2" Burner Inlet	\$1,389
105023	105024	Cobalt 12V Electronic Ignition Kit (490K BTU)	1/2" Burner Inlet	\$1,799
105025	105026	Cobalt 12V Electronic Ignition Kit (490K BTU)	3/4" Burner Inlet	\$1,799
103063-1	103064-1	Platinum 24V Electronic Ignition Kit (680K BTU)	1/2" Burner Inlet	\$2,259
103065-1	103066-1	Platinum 24V Electronic Ignition Kit (680K BTU)	3/4" Burner Inlet	\$2,259

ELECTRONIC ACCESSORIES *For use with Electronic Ignition Only*

Item #	Description	Retail
KCRC	Wireless Key Chain Remote Control & Plug In Receiver (Not compatible with Carbon Battery or Carbon Direct)	\$50
EMERSTOP	Emergency Stop Station (Not compatible with Carbon Battery)	\$379
DT2HRNB	2 Hour Dial Timer - Mounted in NEMA 3 Rated Enclosure (Not compatible with Carbon Battery)	\$487
DT12HRNB	12 Hour Dial Timer - Mounted in NEMA 3 Rated Enclosure (Not compatible with Carbon Battery)	\$507



Key Chain Remote Control & Receiver - KCRC



Emergency Stop
EMERSTOP



Digital Timer
DT12HRNB

ACCESSORIES



WARMING TRENDS®

WT BURNERS



Gas Valve Keys



Drip Leg Kit



Fire Pit Vent Kit
(Set of 2)
FPVK



Vent
(Set of 1)
VENTBLOCKBLACK



LP Regulator
with Hose - LPRH



Whistle Free Flex Line
FL3634



Gas Ball Valve,
Straight, BVS2



Wilderness Char Fire Pit Log Set



Wilderness Oak Fire Pit Log Set

GAS VALVE KEYS

Item # - Brass	Item # - Chrome	Description	Retail
NKY.8.BR	NKY.8.CR	8" Gas Valve Key	\$10
NKY.12.BR	NKY.12.CR	12" Gas Valve Key	\$15
NKY.18.BR	NKY.18.CR	18" Gas Valve Key	\$21
NKY.24.BR	NKY.24.CR	24" Gas Valve Key	\$28

ACCESSORIES

Item #	Description	Retail
DRIP12	1/2" Drip Leg Kit (fits any burner with 1/2" inlet)	\$61
DRIP34	3/4" Drip Leg Kit (fits any burner with 3/4" inlet)	\$83
FPVK	Fire Pit Vent Kit - Set of 2 (4" x 12", includes hardware)	\$61
VENTBLOCKBLACK	Vent, 4" x 8 1/2" Rectangular (1 Vent)	\$48
LPRH	LP Regulator with a 3/8" 10' Hose (Will only allow flow for up to 180K BTU's. For use with a 20 lb LP tank)	\$192
FL3634	36"L x 3/4" Whistle Free Flex Line; 3/4" Connector	\$135
BVS2	3/4" - 1/4 Turn Ball Valve - Straight	\$36
DTES1HR	1-Hour Dial Timer with Emergency Shut-Off (Compatible with burners up to 170k BTU's)	\$202
PBMBR	Paver Mounting Bracket	\$103

REFRACTORY LOG SETS

Outdoor fire pit log sets are for use with outdoor burner systems.

Item #	Description	Pieces	Fire Pit Inside Dimensions	Retail
WCS2006FL	20" Wilderness Char	6	18"-24"	\$305
WCS3010FL	30" Wilderness Char	10	24"-40"	\$896
WCS5019FL	50" Wilderness Char	19	40"-60"	\$1,728
WOS3008FL	30" Wilderness Oak	8	24"-40"	\$578
WOS5014FL	50" Wilderness Oak	14	40"-60"	\$1,127

LOG SETS/MEDIA

LAVA ROCK & STONE



Lava Rock,
Black
1" - 1½", 40 lb Bag

BLR \$55



Tumbled Lava Stone,
Medium
1" - 2", 50 lb Bag

NL-3050 \$189



Tumbled Lava Stone,
Large
2" - 3", 50 lb Bag

NL-5080 \$189

REFLECTIVE FIREGLASS ½" Crushed, 25 lb Tub \$149



Black
EG25-R03MP



Bronze
EG25-R05MP



Cobalt
EG25-R02MP



Copper
EG25-R01MP



Sky Blue
EG25-R04MP



Silver
EG25-R09MP

CLASSIC FIREGLASS ½" Crushed, 25 lb Tub \$149



Amber Classic
EG25-L12MP



Black Classic
EG25-L02MP



Cobalt
EG25-L13MP



Ice
EG25-L01MP



Ocean Blue
EG25-L05MP



Turquoise
EG25-L04MP

REFLECTIVE FIREGLASS DIAMONDS Diamonds, 25 lb Tub \$149



Diamonds
Azuria
DIA-25AZRREF



Diamonds
Caribbean Blue
DIA-25CARREF



Diamonds
Clear
DIA-25CLRREF



Diamonds
Copper
DIA-25COPREF



Diamonds
Emerald
DIA-25EMLDREF



Diamonds
Pacific Blue
DIA-25PACBLREF

See page 22 for Media Calculator

FIRE PIT COVERS

CIRCULAR & SQUARE

We recommend you add a cover to any fire feature to prevent water build up. A cover is required with any Warming Trends system utilizing an electronic ignition system. All covers are aluminum and are powder coated with a UV protected paint.

Note: Be sure to follow Warming Trends recommendations on 4" mounting depth for use of covers.

WARMING TRENDS COVERS *(Light Gray)*

Item # - Circular	Item # - Square	Outside Dimension	Covers Openings	Skirt	Retail
FPC20C	FPC20S	20"	up to 18"	-	\$254
FPC26C	FPC26S	26"	up to 24"	-	\$345
FPC32C	FPC32S	32"	up to 30"	-	\$504
FPC38C	FPC38S	38"	up to 36"	-	\$830
FPC44C	FPC44S	44"	up to 42"	-	\$888
FPC50C	FPC50S	50"	up to 48"	-	\$1,058
FPCUST*	FPCUST*	Custom Cover, Powder Coated Light Gray Aluminum			Call Empire

COVERS *Skirted covers are Special Order. (Silver Shadow)*

Item # - Circular	Item # - Square	Outside Dimension	Covers Openings	Skirt	Retail
SC26C-CG	SC26S-CG	26"	up to 24"	-	\$324
SC26C-1SK-CG*	SC26S-1SK-CG*	28"	up to 24"	1"	\$480
SC26C-2SK-CG*	SC26S-2SK-CG*	28"	up to 24"	2"	\$480
SC32C-CG	SC32S-CG	32"	up to 30"	-	\$426
SC32C-1SK-CG*	SC32S-1SK-CG*	34"	up to 30"	1"	\$615
SC32C-2SK-CG*	SC32S-2SK-CG*	34"	up to 30"	2"	\$615
SC38C-CG	SC38S-CG	38"	up to 36"	-	\$613
SC38C-1SK-CG*	SC38S-1SK-CG*	40"	up to 36"	1"	\$834
SC38C-2SK-CG*	SC38S-2SK-CG*	40"	up to 36"	2"	\$834
SC44C-CG	SC44S-CG	44"	up to 42"	-	\$818
SC44C-1SK-CG*	SC44S-1SK-CG*	46"	up to 42"	1"	\$1,076
SC44C-2SK-CG*	SC44S-2SK-CG*	46"	up to 42"	2"	\$1,076
SC50C-CG	SC50S-CG	50" (2 piece)	up to 48"	-	\$1,095
SC50C-2SK-CG*	SC50S-2SK-CG*	52" (2 piece)	up to 48"	2"	\$1,392
SC-CUST-CG*	SC-CUST-CG*	Custom Cover, Powder Coated Silver Shadow			Call Empire

*Special Order

NOTE ABOUT SKIRTED COVERS:

Skirted covers may be necessary when the burner or media protrudes above the lip of your firepit. All skirted covers are special orders.



Light Gray



Silver Shadow



Circular Cover
Light Gray



Skirted Cover
Silver Shadow



Square Cover
Silver Shadow

FIRE PIT COVERS

RECTANGLE

We recommend you add a cover to any fire feature to prevent water build up. All covers are 1/8" thick Aluminum and are powder coated in **Silver Shadow** with a UV protected paint.

Note: Be sure to follow Warming Trends recommendations on 4" mounting depth for use of covers.

RECTANGLE COVERS *All covers come with 2 handles. Skirted covers are Special Order. (Silver Shadow)*

Item #	Description*	Covers Openings	Skirt	Retail
SC3012R-CG	30" x 12" Rectangle	up to 28" x 10"	-	\$324
SC3012R-1SK-CG*	32" x 14" Rectangle	up to 28" x 10"	1"	\$448
SC3012R-2SK-CG*	32" x 14" Rectangle	up to 28" x 10"	2"	\$448
SC3820R-CG	38" x 20" Rectangle	up to 36" x 18"	-	\$437
SC3820R-1SK-CG*	40" x 22" Rectangle	up to 36" x 18"	1"	\$692
SC3820R-2SK-CG*	40" x 22" Rectangle	up to 36" x 18"	2"	\$692
SC3826R-CG	38" x 26" Rectangle	up to 36" x 24"	-	\$566
SC3826R-1SK-CG*	40" x 28" Rectangle	up to 36" x 24"	1"	\$846
SC3826R-2SKCG*	40" x 28" Rectangle	up to 36" x 24"	2"	\$846
SC4016R-CG	40" x 16" Rectangle	up to 38" x 14"	-	\$371
SC4016R-1SK-CG*	42" x 18" Rectangle	up to 38" x 14"	1"	\$538
SC4016R-2SK-CG*	42" x 18" Rectangle	up to 38" x 14"	2"	\$538
SC5020R-CG	50" x 20" Rectangle (2 piece)	up to 48" x 18"	-	\$554
SC5020R-2SK-CG*	52" x 22" Rectangle (2 piece)	up to 48" x 18"	2"	\$772
SC5026R-CG	50" x 26" Rectangle (2 piece)	up to 48" x 24"	-	\$832
SC5026R-2SK-CG*	52" x 28" Rectangle (2 piece)	up to 48" x 24"	2"	\$1,109
SC6220R-CG	62" x 20" Rectangle (2 piece)	up to 60" x 18"	-	\$799
SC6220R-2SK-CG*	64" x 22" Rectangle (2 piece)	up to 60" x 18"	2"	\$1,158
SC6226R-CG	62" x 26" Rectangle (2 piece)	up to 60" x 24"	-	\$950
SC6226R-2SK-CG*	64" x 28" Rectangle (2 piece)	up to 60" x 24"	2"	\$1,326
SC7420R-CG	74" x 20" Rectangle (2 piece)	up to 72" x 18"	-	\$878
SC7420R-2SK-CG*	76" x 22" Rectangle (2 piece)	up to 72" x 18"	2"	\$1,279
SC7426R-CG	74" x 26" Rectangle (2 piece)	up to 72" x 24"	-	\$1,118
SC7426R-2SK-CG*	76" x 28" Rectangle (2 piece)	up to 72" x 24"	2"	\$1,523
SC-CUST-CG*	Custom Cover, Silver Shadow			Call Empire

*Special Order

NOTE ABOUT SKIRTED COVERS:

Skirted covers may be necessary when the burner or media protrudes above the lip of your firepit.

All skirted covers are special orders.



Silver Shadow



Rectangle Cover
Silver Shadow

OUTDOOR FIREPLACE BURNERS

30" & 36" Openings

WT BURNERS



H-STYLE



TREE STYLE

Includes: CROSSFIRE® Brass Burner attached to an elevated black powder-coated aluminum plate, and Steel Grate. Choice of Ignition Kit. Ceramic Log Sets and Lava Rock required (sold separately).

FITS 30" OPENINGS & LARGER

Item # - NG	Item # - LP	Burner	BTU	Ignition	Retail
104355	104356	H-Style	120,000	Push Button	\$1,341
104357	104358	Tree Style	110,000	Push Button	\$1,238
104499*	104500*	H-Style	120,000	Mercury Safety Pilot	\$2,180
104501*	104502*	Tree Style	110,000	Mercury Safety Pilot	\$2,077
104515-1*	104516-1*	H-Style	120,000	Platinum Electronic	\$3,390
104517-1*	104518-1*	Tree Style	110,000	Platinum Electronic	\$3,287

FITS 36" OPENINGS & LARGER

Item # - NG	Item # - LP	Burner	BTU	Ignition	Retail
104359	104360	H-Style	160,000	Push Button	\$1,522
104361	104362	Tree Style	170,000	Push Button	\$1,610
104503*	104504*	H-Style	160,000	Mercury Safety Pilot	\$2,361
104505*	104506*	Tree Style	170,000	Mercury Safety Pilot	\$2,449
104519-1*	104520-1*	H-Style	160,000	Platinum Electronic	\$3,571
104521-1*	104522-1*	Tree Style	170,000	Platinum Electronic	\$3,659

LOG SETS & MEDIA

Item #	Description	Retail
WCS2006FL	20" Wilderness Char	\$305
WCS3010FL	30" Wilderness Char	\$896
WOS3008FL	30" Wilderness Oak	\$578
BLR	Lava Rock, Black – 40 lb bag	\$55



Wilderness Char Log Set



Wilderness Oak Log Set

*Special Order For Electronic Ignition Accessories, see page 13 of this section.

SPECIFICATIONS

	30"	36"
Plate Dimensions	15 1/2" x 9 3/4"	21 1/2" x 9 3/4"
Grate Width	22 3/4"	29"
Grate Back Width	19 1/4"	25 1/2"
Grate Depth	17"	17"
Grate Leg Height	4"	4"

1. For outdoor/interior use only.
2. Modification of product will void any certification and warranty.
3. Follow all installation instructions and local codes.
4. Recommended to be installed by a certified plumbing professional.
5. All dimensions are true and reflect Warming Trends' specifications as of the revision date.

The Warming Trends® Patent-Pending CROSSFIRE® Brass Burner utilizes cutting-edge technology to produce a taller, brighter, full flame, replicating a natural, wood burning fire – all while consuming less gas. Made from corrosion resistant and sustainable brass, CROSSFIRE® Brass Burners will not rust and come with a lifetime warranty. All burners are manufactured and assembled in the United States.

OUTDOOR FIREPLACE BURNERS

42" & 48" Openings



H-STYLE



TREE STYLE

Includes: CROSSFIRE® Brass Burner attached to an elevated black powder-coated aluminum plate, and Steel Grate. Choice of Ignition Kit. Ceramic Log Sets and Lava Rock required (sold separately).

FITS 42" OPENINGS & LARGER

Item # - NG	Item # - LP	Burner	BTU's	Ignition	Retail
104363	104364	H-Style	200,000	Push Button	\$1,718
104365	104366	Tree Style	230,000	Push Button	\$1,905
104507*	104508*	H-Style	200,000	Mercury Safety Pilot	\$2,557
104509*	104510*	Tree Style	230,000	Mercury Safety Pilot	\$2,744
104523-1*	104524-1*	H-Style	200,000	Platinum Electronic	\$3,767
104525-1*	104526-1*	Tree Style	230,000	Platinum Electronic	\$3,954

FITS 48" OPENINGS & LARGER

Item # - NG	Item # - LP	Burner	BTU's	Ignition	Retail
104367*	104368*	H-Style	240,000	Push Button	\$2,205
104369*	104370*	Tree Style	290,000	Push Button	\$2,287
104511*	104512*	H-Style	240,000	Mercury Safety Pilot	\$3,044
104513*	104514*	Tree Style	290,000	Mercury Safety Pilot	\$3,126
104527-1*	104528-1*	H-Style	240,000	Platinum Electronic	\$4,254
104529-1*	104530-1*	Tree Style	290,000	Platinum Electronic	\$4,336

LOG SETS & MEDIA

Item #	Description	Retail
WCS2006FL	20" Wilderness Char	\$305
WCS3010FL	30" Wilderness Char	\$896
WOS3008FL	30" Wilderness Oak	\$578
BLR	Lava Rock, Black – 40 lb bag	\$55



Wilderness Char Log Set



Wilderness Oak Log Set

*Special Order For Electronic Ignition Accessories, see page 13 of this section.

SPECIFICATIONS

	42"	48"
Plate Dimensions	27 ½" x 10 ½"	34 ¾" x 10 ½"
Grate Width	32 ½"	43 ½"
Grate Back Width	31"	42"
Grate Depth	16 ¼"	17"
Grate Leg Height	4"	4"

1. For outdoor/external use only.
2. Modification of product will void any certification and warranty.
3. Follow all installation instructions and local codes.
4. Recommended to be installed by a certified plumbing professional.
5. All dimensions are true and reflect Warming Trends' specifications as of the revision date.

The Warming Trends® Patent-Pending CROSSFIRE® Brass Burner utilizes cutting-edge technology to produce a taller, brighter, full flame, replicating a natural, wood burning fire – all while consuming less gas. Made from corrosion resistant and sustainable brass, CROSSFIRE® Brass Burners will not rust and come with a lifetime warranty. All burners are manufactured and assembled in the United States.

WIND GUARDS



Round



Square



Rectangle



Linear

ROUND (Glass Clips Included)

Item #	Description	Assembled Diameter	Retail
WG23-RD	Round Glass Wind Guard	23" Inside Diameter	\$363
WG30-RD	Round Glass Wind Guard	30" Inside Diameter	\$436
WG38-RD	Round Glass Wind Guard	38" Inside Diameter	\$545
WG48-RD	Round Glass Wind Guard	48" Inside Diameter	\$685

SQUARE (Glass Clips Included)

Item #	Description	Assembled Dimension (LxW)	Retail
WG25-SQ	Square Glass Wind Guard	25" x 25" Inside Dimensions	\$249
WG31-SQ	Square Glass Wind Guard	31" x 31" Inside Dimensions	\$270
WG37-SQ	Square Glass Wind Guard	37" x 37" Inside Dimensions	\$297
WG43-SQ	Square Glass Wind Guard	43" x 43" Inside Dimensions	\$322
WG49-SQ	Square Glass Wind Guard	49" x 49" Inside Dimensions	\$363

RECTANGLE (Glass Clips Included)

Item #	Description	Assembled Dimension (LxW)	Retail
WG31X19-RECT	Rectangle Glass Wind Guard	31" x 19" Inside Dimensions	\$275
WG37X19-RECT	Rectangle Glass Wind Guard	37" x 19" Inside Dimensions	\$296
WG43X21-RECT	Rectangle Glass Wind Guard	43" x 21" Inside Dimensions	\$322
WG49X21-RECT	Rectangle Glass Wind Guard	49" x 21" Inside Dimensions	\$353
WG61X23-RECT	Rectangle Glass Wind Guard	61" x 23" Inside Dimensions	\$415

LINEAR (Glass Clips Included)

Item #	Description	Assembled Dimension (LxW)	Retail
WG31X15-L	Linear Glass Wind Guard	31" x 15" Inside Dimensions	\$270
WG43X15-L	Linear Glass Wind Guard	43" x 15" Inside Dimensions	\$312
WG55X15-L	Linear Glass Wind Guard	55" x 15" Inside Dimensions	\$384
WG67X15-L	Linear Glass Wind Guard	67" x 15" Inside Dimensions	\$426

WIND GUARD CLIPS (For use with 1/8" glass. Glass not included)

Item #	Description	Retail
GC-90KIT	Wind Guard Clips (Includes: 8 clips to complete square or rectangle wind guard 36" or smaller per side. Glass not included)	\$36
GCS-90KIT	Wind Guard Clips (Includes: 12 clips to complete square or rectangle wind guard 37" or longer per side. Glass not included)	\$43



GC-90 Kit (8 pc)



GCS-90 Kit (12 pc)

Custom sized Wind Guards available. Call Empire for details.



FIRESTORM STEEL LOG KIT

Includes: 32" Hand-crafted Steel Log, CFBL150 Burner, and 38" x 10" Aluminum Plate

Item #	Description	Retail
FSL32LP	FireStorm Steel Log Kit, LP	\$1,488
FSL32NG	FireStorm Steel Log Kit, NG	\$1,488

(FireStorm log is not compatible with push button, mercury, or electronic ignition.)



Scan Code to see
Firestorm Steel Logs Burning Video

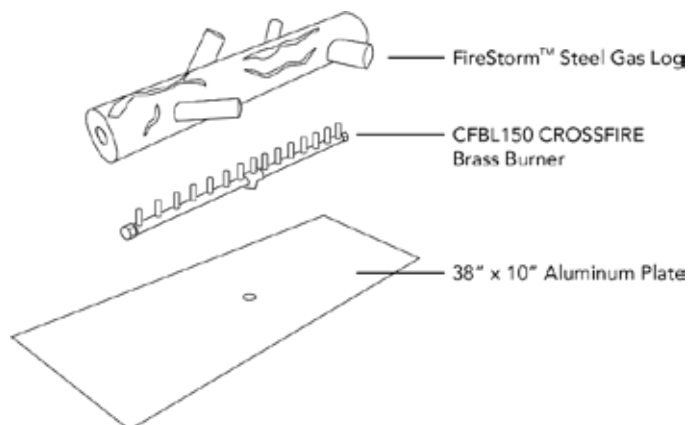
ACCESSORIES

For a list of media, see page 15. For all other accessories, see pages 12-13.

Item #	Description	Retail
FK1	Match Light Key Valve Kit (Includes: 36" L x 3/4" Diameter Whistle Free Flex Line; 3/4" Connector; 3/4" Key Valve; 12" & 3" Key)	\$190
FP.EXT	12" Adjustable Key Valve Extension with 1/2" Banded Coupling	\$16
FPVK	Fire Pit Vent Kit - Set of 2 (4" x 12", includes hardware)	\$61
BLR	Lava Rock 1" - 1 1/2", Black (40 lb bag)	\$55

FEATURES

- Handcrafted, one-of-a-kind steel log
- Integrated burner compounds the effects of the Crossfire Brass Burner, creating a beautiful flame pattern
- Simple and easy installation
- Kit includes 150K BTU Crossfire Brass Burner (NG or LP), Firestorm Steel Log, and aluminum plate



FireStorm Log

MEDIA CALCULATOR & GAS PIPE SIZE CHART

FIREGLASS / LAVA STONE MEDIA CALCULATOR

Calculations are for Fire Pits with 3" Media Depth. Measure INSIDE Diameter of Fire Pit.

LAVA ROCK CALCULATOR

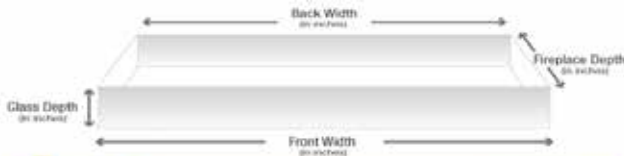
Fireglass or Lava Stone Weight / 2 = Total Lava Rock Weight

Square/Rectangular

Length x Width x 0.16 = Total Fireglass / Lava Stone Weight

	12"	18"	24"	30"	36"	42"	48"	54"	60"	66"	72"
12"	23	35	46	58	69	81	92	104	115	127	138
18"	35	52	69	86	104	121	138	156	173	190	207
24"	46	69	92	115	138	161	184	207	230	253	276
30"	58	86	115	144	173	202	230	259	288	317	346
36"	69	104	138	173	207	242	276	311	346	380	415
42"	81	121	161	202	242	282	323	363	403	444	484
48"	92	138	184	230	276	323	369	415	461	507	553
54"	104	156	207	259	311	363	415	467	518	570	622
60"	115	173	230	288	346	403	461	518	576	634	691
66"	127	190	253	317	380	444	507	570	634	697	760
72"	138	207	276	346	415	484	553	622	691	760	829

Note: For rectangular fireplaces, use the same front width as back width



Round

Radius x Radius x 3.14 x 0.16 = Total Fireglass / Lava Stone Weight

Diameter	Fireglass/Lbs.	Diameter	Fireglass/Lbs.
12"	18	32"	129
14"	25	34"	145
16"	32	36"	163
18"	41	38"	181
20"	50	40"	201
22"	61	42"	222
24"	72	44"	243
26"	85	46"	266
28"	98	48"	289
30"	113	50"	314

Note: Radius = Diameter x .5



GAS PIPE SIZE CHART

Natural Gas Pipe Sizing Chart

Length of Pipe in Feet	Size of Pipe in Inches								
	½"	¾"	1"	1¼"	1½"	2"	2½"	3"	4"
10	108	230	387	793	1237	2259	3640	6434	
20	75	160	280	569	877	1610	2613	5236	9521
30	61	129	224	471	719	1335	2165	4107	7859
40	52	110	196	401	635	1143	1867	3258	6795
50	46	98	177	364	560	1041	1680	2936	6142
60	42	89	159	336	513	957	1559	2684	5647
70	38	82	149	317	476	896	1447	2492	5250
80	36	76	140	239	443	840	1353	2315	4900
90	33	71	133	275	420	793	1288	2203	4667
100	32	68	126	266	411	775	1246	2128	4518
125	28	60	117	243	369	700	1143	1904	4065
150	25	54	105	215	327	625	1008	1689	3645

Natural Gas flow is given in thousands of BTU/hour. One cubic foot of NG gas = 1000 BTU's.
 NG Example: A burner that requires 224,000 BTU would need a 1" pipe for a 30' long run.

Liquid Propane Pipe Sizing Chart

Length of Pipe in Feet	Size of Pipe in Inches								
	½"	¾"	1"	1¼"	1½"	2"	2½"	3"	4"
10	275	567	1071	2205	3307	6221	10140	17990	35710
20	189	393	732	1496	2299	4331	7046	12510	25520
30	152	315	590	1212	1858	3465	5695	10110	20620
40	129	267	504	1039	1559	2992	4778	8481	17300
50	114	237	448	913	1417	2646	4343	7708	15730
60	103	217	409	834	1275	2394	3908	6936	14150
80	89	185	346	724	1086	2047	3329	5908	12050
100	78	162	307	630	976	1811	2991	5309	10830
125	69	146	275	567	866	1606	2654	4711	9613
150	63	132	252	511	787	1496	2412	4281	8736

Liquid Propane flow is given in thousands of BTU/hour. One cubic foot of LP gas = 2516 BTU's.
 LP Example: A burner that requires 252,000 BTU would need a 1" pipe for a 150' long run.

Note for NG & LP: Pipe length must include additional length for all fittings. Add approximately 5 feet of pipe per fitting.