



WARMING TRENDS BURNERS

BURNERS | PLATES | PANS | ACCESSORIES | MEDIA

REV: 05/24/24

TABLE OF CONTENTS

LITERATURE

Item #	Description	Retail
ERFG	Emilyrose Media	N/C
WTTRI	Warming Trends	N/C
WT-BESTSELLER	Warming Trends Best Seller	N/C



SCAN QR CODE
FOR LINK TO
WARMING TRENDS
RESOURCES WEBPAGE



SCAN QR CODE
FOR LINK TO
WARMING TRENDS
INSTALLATION MANUAL

WARMING TRENDS

- Circular Plates & Pans 4
- Square Plates & Pans 6
- Original Crossfire™ Burners 8
- Octagonal Crossfire™ Burners 9
- Rectangle Plates & Pans..... 10
- Tree-Style Crossfire™ Burners..... 12
- H-Style Crossfire™ Burners 14
- Linear Crossfire™ Burners..... 15
- Ignition Kits 16
- Outdoor Fireplace Burners 24
- Firestorm Steel Log 28

ACCESSORIES

- Burner Covers 18
- Wind Guards..... 21
- Log Sets..... 22
- Lava Rock 22
- Fireglass 22
- Media Calculator..... 23



BURNERS, PANS & IGNITION SYSTEMS



UNIVERSAL PAVER KITS

WARMING TRENDS®

READY-TO-FINISH FIRE PIT KITS



AON FIRE TABLES



Visit all of our Warming Trends sections to see everything Warming Trends has to offer. Not just burners and pans, but also complete Universal Paver Kits, Ready-to-Finish Fire Pit Kits, and new Aon Fire Tables.

WARMING TRENDS[®]



TWICE THE FLAME



ALL BRASS COMPONENTS



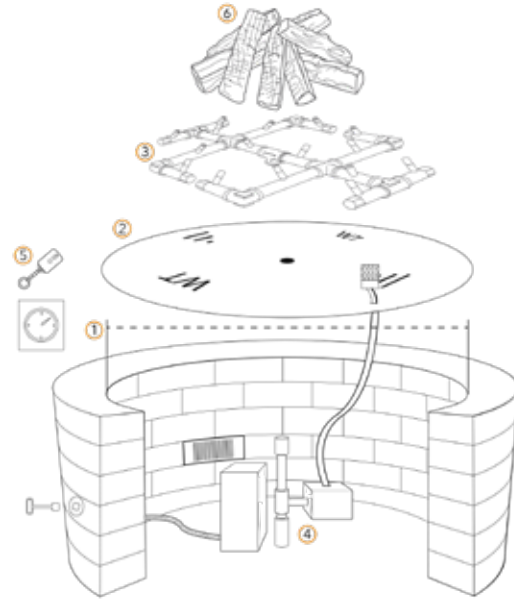
LIFETIME WARRANTY



MADE IN THE USA

Six Easy Steps to Purchasing

1. Measure the opening of your fire pit.
2. Choose the corresponding Plate or Pan size.
(Pans come standard with a 2" welded sidewall.)
3. Choose Burner and Fuel Type.
(Natural Gas or Liquid Propane)
4. Choose your Ignition System: match lit, push button, mercury, or electric on/off switch.
5. Choose Electronic Add-Ons:
remote control options, dial timers, and emergency stops.
6. Complete the look with
Accessories: ceramic logs, lava rock, volcanic stone or fire glass.



When ordering aluminum plates, please specify the exact size plate you would like for your project. Each plate is specifically cut for each order. Please allow 48 hours for shipping.

Standard Ring Burner with 180k BTU's

CFB180 CROSSFIRE Brass Burner
with 180k BTU's



CIRCULAR PLATES

Select a Warming Trends Plate or Pan, Crossfire™ Burner (see pages 8-9) and Ignition Kit (see pages 16-17) to make a complete burner system. Add your Media/Logs (see page 22).

Warming Trends heavy duty aluminum mounting plates provide a solid surface to support your burner and your media choice. This plate is fitted with the proper gas supply connection point to attach the burner to the plate.



Circular Plate



NOTE: It is recommended to incorporate 1 vent on at least two opposing sides (2 vents total) at a minimum size of 18 sq. inches each (Example: 3"x 6" or larger). Installation of the vents in the mid to lower area of the enclosure is recommended. Always consult with local municipality regarding any local code requirements. See page 17 for Vent Kit, item number FPVK.

CIRCULAR PLATES

Item #	Description	Lava Rock [§] (Max Weight)	Inlet	Retail
ALPL18C	18" Aluminum Plate, Circular	20 lbs.	1/2"	\$113
ALPL24C	24" Aluminum Plate, Circular	40 lbs.	1/2"	\$218
ALPL29.25C	29.25" Aluminum Plate, Circular	60 lbs.	1/2"	\$356
ALPL30C	30" Aluminum Plate, Circular	60 lbs.	1/2"	\$292
ALPL35.5C	35.50" Aluminum Plate, Circular	80 lbs.	1/2"	\$536
ALPL36C	36" Aluminum Plate, Circular	80 lbs.	1/2"	\$439
ALPL42C	42" Aluminum Plate, Circular	110 lbs.	3/4"	\$587
ALPL48C	48" Aluminum Plate, Circular	145 lbs.	3/4"	\$754
ALPL60C	60" Aluminum Plate, Circular	225 lbs.	3/4"	\$1,155

CUSTOM CIRCULAR PLATES - CUT TO FIT

(Note: Cut to Fit plates are not returnable. Recommended 1/2" narrower than actual opening.)

Item #	Description	Lava Rock [§] (Max Weight)	Inlet	Retail
ALPL1218C	12.00" - 17.99" Aluminum Plate, Circular	20 lbs.	1/2"	\$170
ALPL1824C	18.01" - 23.99" Aluminum Plate, Circular	40 lbs.	1/2"	\$279
ALPL2430C	24.01" - 29.99" Aluminum Plate, Circular	60 lbs.	1/2"	\$356
ALPL3036C	30.01" - 35.99" Aluminum Plate, Circular	80 lbs.	1/2"	\$536
ALPL3642C	36.01" - 41.99" Aluminum Plate, Circular	110 lbs.	3/4"	\$643
ALPL4248C	42.01" - 47.99" Aluminum Plate, Circular	145 lbs.	3/4"	\$809
ALPL4860C	48.01" - 59.99" Aluminum Plate, Circular	225 lbs.	3/4"	\$1,243
ALPLCUST	Custom Aluminum Plate (We can manufacture any custom shape or size.)			Call Empire

§ Fireglass or Lava Stones = 2x Lava Rock Max Weight

INSTALLATION COLLAR

Installation collars provide support for the aluminum plate, allowing for any size plate to be used for a range of sizes. Order multiples depending on the size of the fire pit.

Item #	Description	Retail
COLLAR	19" Universal Flexible Aluminum Installation Collar (3" Range)	\$30
COLLARF	19" Flexible No Drill Collar (4" Range)	\$32
IC44SS-FF	44" x 6.2" Flexible Install Collar (2 per carton)	\$356.62



COLLAR



COLLARF



IC44SS-FF

CIRCULAR PANS

Select a Warming Trends Plate or Pan, Crossfire™ Burner (see pages 8-9) and Ignition Kit (see pages 16-17) to make a complete burner system. Add your Media/Logs (see page 22).

Using the Warming Trends heavy duty aluminum mounting pan with 2" sidewalls will provide a solid surface to support your burner and your media choice. This pan is fitted with the proper gas supply connection point to attach the burner to the pan.



Circular Pan
with 2" Sidewall



VIDEO LINK
PLATE VS PAN

NOTE: It is recommended to incorporate 1 vent on at least two opposing sides (2 vents total) at a minimum size of 18 sq. inches each (Example: 3"x 6" or larger). Installation of the vents in the mid to lower area of the enclosure is recommended. Always consult with local municipality regarding any local code requirements. See page 17 for Vent Kit, item number FPVK.

CIRCULAR PANS (with 2" Welded Sidewalls)

Item #	Description	Lava Rock [§] (Max Weight)	Inlet	Retail
ALPAN18C	18" Aluminum Pan, Circular	20 lbs.	1/2"	\$253
ALPAN24C	24" Aluminum Pan, Circular	40 lbs.	1/2"	\$319
ALPAN30C	30" Aluminum Pan, Circular	60 lbs.	1/2"	\$402
ALPAN36C	36" Aluminum Pan, Circular	80 lbs.	1/2"	\$563
ALPAN42C	42" Aluminum Pan, Circular	110 lbs.	3/4"	\$705
ALPAN48C	48" Aluminum Pan, Circular	145 lbs.	3/4"	\$868
ALPAN60C	60" Aluminum Pan, Circular	225 lbs.	3/4"	\$1,273

CUSTOM CIRCULAR PANS - CUT TO FIT (with 2" Welded Sidewalls)

(Note: Cut to Fit pans are not returnable. Recommended 1/2" narrower than actual opening.)

Item #	Description	Lava Rock [§] (Max Weight)	Inlet	Retail
ALPAN1218C	12.00" - 17.99" Aluminum Pan, Circular	20 lbs.	1/2"	\$296
ALPAN1824C	18.01" - 23.99" Aluminum Pan, Circular	40 lbs.	1/2"	\$363
ALPAN2430C	24.01" - 29.99" Aluminum Pan, Circular	60 lbs.	1/2"	\$448
ALPAN3036C	30.01" - 35.99" Aluminum Pan, Circular	80 lbs.	1/2"	\$634
ALPAN3642C	36.01" - 41.99" Aluminum Pan, Circular	110 lbs.	3/4"	\$757
ALPAN4248C	42.01" - 47.99" Aluminum Pan, Circular	145 lbs.	3/4"	\$920
ALPAN4860C	48.01" - 59.99" Aluminum Pan, Circular	225 lbs.	3/4"	\$1,351
ALPANCUST	Custom Aluminum Pan (We can manufacture any custom shape or size.)			Call Empire

Note: Deeper sidewalls and top lips available for Special Order.

§ Fireglass or Lava Stones = 2x Lava Rock Max Weight

INSTALLATION COLLAR

Installation collars provide support for the aluminum plate, allowing for any size plate to be used for a range of sizes. Order multiples depending on the size of the fire pit.

Item #	Description	Retail
COLLAR	19" Universal Flexible Aluminum Installation Collar (3" Range)	\$30
COLLARF	19" Flexible No Drill Collar (4" Range)	\$32
IC44SS-FF	44" x 6.2" Flexible Install Collar (2 per carton)	\$356.62



COLLAR



COLLARF

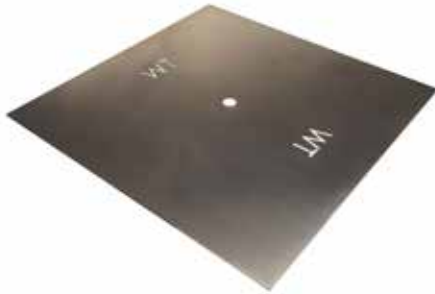


IC44SS-FF

SQUARE PLATES

Select a Warming Trends Plate or Pan, Crossfire™ Burner (see pages 8-9) and Ignition Kit (see pages 16-17) to make a complete burner system. Add your Media/Logs (see page 22).

Warming Trends heavy duty aluminum mounting plates provide a solid surface to support your burner and your media choice. This plate is fitted with the proper gas supply connection point to attach the burner to the plate.



Square Plate



NOTE: It is recommended to incorporate 1 vent on at least two opposing sides (2 vents total) at a minimum size of 18 sq. inches each (Example: 3"x 6" or larger). Installation of the vents in the mid to lower area of the enclosure is recommended. Always consult with local municipality regarding any local code requirements. See page 17 for Vent Kit, item number FPKV.

SQUARE PLATES

Item #	Description	Lava Rock [§] (Max Weight)	Inlet	Retail
ALPL18S	18" Aluminum Plate, Square	25 lbs.	1/2"	\$113
ALPL24S	24" Aluminum Plate, Square	45 lbs.	1/2"	\$218
ALPL30S	30" Aluminum Plate, Square	70 lbs.	1/2"	\$292
ALPL36S	36" Aluminum Plate, Square	100 lbs.	1/2"	\$439
ALPL42S	42" Aluminum Plate, Square	140 lbs.	3/4"	\$587
ALPL48S	48" Aluminum Plate, Square	180 lbs.	3/4"	\$754
ALPL60S	60" Aluminum Plate, Square	280 lbs.	3/4"	\$1,155

CUSTOM SQUARE PLATES - CUT TO FIT

(Note: Cut to Fit plates are not returnable. Recommended 1/2" narrower than actual opening.)

Item #	Description	Lava Rock [§] (Max Weight)	Inlet	Retail
ALPL1218S	12.00" - 17.99" Aluminum Plate, Square	25 lbs.	1/2"	\$170
ALPL1824S	18.01" - 23.99" Aluminum Plate, Square	45 lbs.	1/2"	\$278
ALPL2430S	24.01" - 29.99" Aluminum Plate, Square	70 lbs.	1/2"	\$356
ALPL3036S	30.01" - 35.99" Aluminum Plate, Square	100 lbs.	1/2"	\$536
ALPL3642S	36.01" - 41.99" Aluminum Plate, Square	140 lbs.	3/4"	\$643
ALPL4248S	42.01" - 47.99" Aluminum Plate, Square	180 lbs.	3/4"	\$809
ALPL4860S	48.01" - 59.99" Aluminum Plate, Square	280 lbs.	3/4"	\$1,243
ALPLCUST	Custom Aluminum Plate (We can manufacture any custom shape or size.)			Call Empire

§ Fireglass or Lava Stones = 2x Lava Rock Max Weight

INSTALLATION COLLAR

Installation collars provide support for the aluminum plate, allowing for any size plate to be used for a range of sizes. Order multiples depending on the size of the fire pit.

Item #	Description	Retail
COLLAR	19" Universal Flexible Aluminum Installation Collar (3" Range)	\$30
COLLARF	19" Flexible No Drill Collar (4" Range)	\$32
IC44SS-FF	44" x 6.2" Flexible Install Collar (2 per carton)	\$356.62



COLLAR



COLLARF



IC44SS-FF

SQUARE PANS

Select a Warming Trends Plate or Pan, Crossfire™ Burner (see pages 8-9) and Ignition Kit (see pages 16-17) to make a complete burner system. Add your Media/Logs (see page 22).

Using the Warming Trends heavy duty aluminum mounting pan with 2" sidewalls will provide a solid surface to support your burner and your media choice. This pan is fitted with the proper gas supply connection point to attach the burner to the pan.



Square Pan
with 2" Sidewall



VIDEO LINK
PLATE VS PAN

NOTE: It is recommended to incorporate 1 vent on at least two opposing sides (2 vents total) at a minimum size of 18 sq. inches each (Example: 3"x 6" or larger). Installation of the vents in the mid to lower area of the enclosure is recommended. Always consult with local municipality regarding any local code requirements. See page 17 for Vent Kit, item number FPVK.

SQUARE PANS (with 2" Welded Sidewalls)

Item #	Description	Lava Rock [§] (Max Weight)	Inlet	Retail
ALPAN18S	18" Aluminum Pan, Square	25 lbs.	1/2"	\$253
ALPAN24S	24" Aluminum Pan, Square	45 lbs.	1/2"	\$319
ALPAN30S	30" Aluminum Pan, Square	70 lbs.	1/2"	\$402
ALPAN36S	36" Aluminum Pan, Square	100 lbs.	1/2"	\$563
ALPAN42S	42" Aluminum Pan, Square	140 lbs.	3/4"	\$705
ALPAN48S	48" Aluminum Pan, Square	180 lbs.	3/4"	\$868
ALPAN60S	60" Aluminum Pan, Square	280 lbs.	3/4"	\$1,273

CUSTOM SQUARE PANS - CUT TO FIT (with 2" Welded Sidewalls)

(Note: Cut to Fit pans are not returnable. Recommended 1/2" narrower than actual opening.)

Item #	Description	Lava Rock [§] (Max Weight)	Inlet	Retail
ALPAN1218S	12.00" - 17.99" Aluminum Pan, Square	25 lbs.	1/2"	\$296
ALPAN1824S	18.01" - 23.99" Aluminum Pan, Square	45 lbs.	1/2"	\$363
ALPAN2430S	24.01" - 29.99" Aluminum Pan, Square	70 lbs.	1/2"	\$448
ALPAN3036S	30.01" - 35.99" Aluminum Pan, Square	100 lbs.	1/2"	\$634
ALPAN3642S	36.01" - 41.99" Aluminum Pan, Square	140 lbs.	3/4"	\$757
ALPAN4248S	42.01" - 47.99" Aluminum Pan, Square	180 lbs.	3/4"	\$920
ALPAN4860S	48.01" - 59.99" Aluminum Pan, Square	280 lbs.	3/4"	\$1,351
ALPANCUST	Custom Aluminum Pan (We can manufacture any custom shape or size.)			Call Empire

Note: Deeper sidewalls and top lips available for Special Order.

§ Fireglass or Lava Stones = 2x Lava Rock Max Weight

INSTALLATION COLLAR

Installation collars provide support for the aluminum plate, allowing for any size plate to be used for a range of sizes. Order multiples depending on the size of the fire pit.

Item #	Description	Retail
COLLAR	19" Universal Flexible Aluminum Installation Collar (3" Range)	\$30
COLLARF	19" Flexible No Drill Collar (4" Range)	\$32
IC44SS-FF	44" x 6.2" Flexible Install Collar (2 per carton)	\$356.62



COLLAR

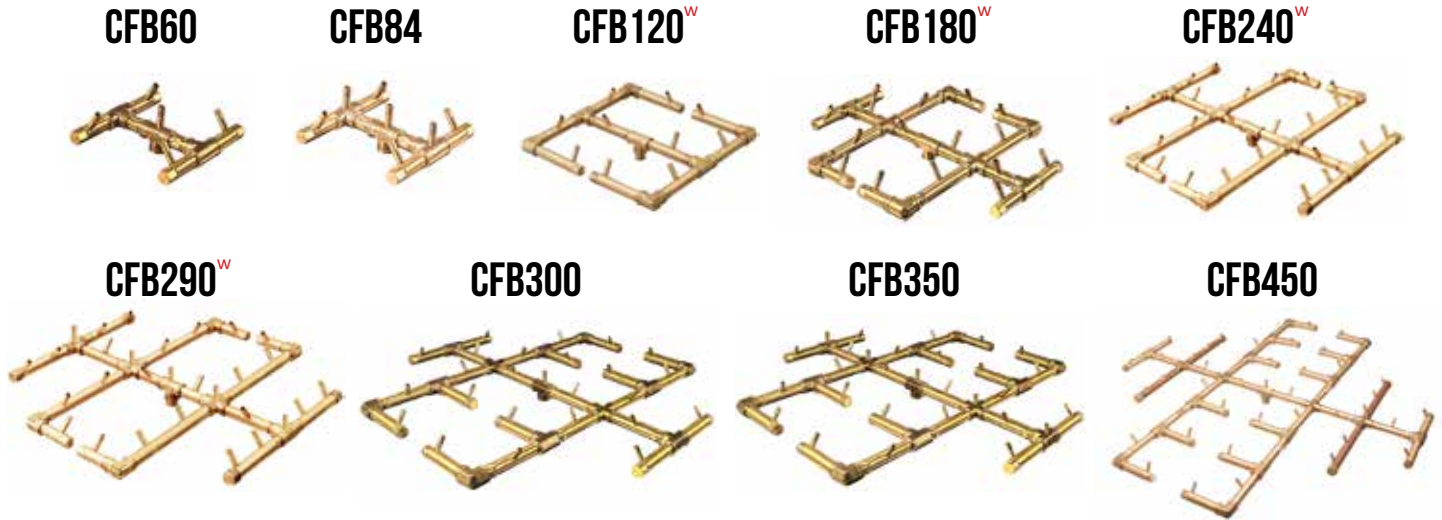


IC44SS-FF



COLLARF

Select a Warming Trends Plate or Pan (see pages 4-7), Crossfire™ Burner and Ignition Kit (see pages 16-17) to make a complete burner system. Add your Media/Logs (see pages 22).



CROSSFIRE BURNERS

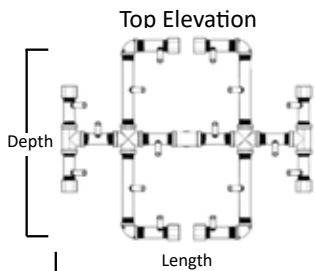
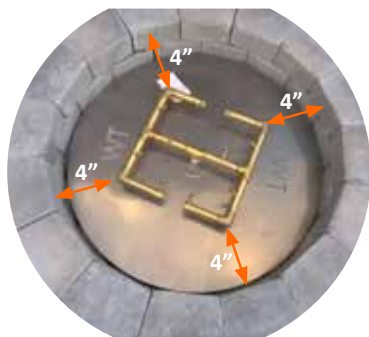
It is recommended that the burner be 4" from inside edge of Fire Pit, Fire Bowl or any Fire Feature.

Item # - NG	Item # - LP	Description	Top Elevation Dimensions	Corner Dimensions	Inlet	Retail
CFB60NG	CFB60LP	60,000 BTU Burner	7 ½" L x 7 ½" D	10 ⅝"	1/2"	\$281
CFB84NG	CFB84LP	84,000 BTU Burner	7 ½" L x 7 ½" D	10 ⅝"	1/2"	\$320
CFB120NG	CFB120LP	120,000 BTU Burner	13" L x 13" D	18"	1/2"	\$486
CFB180NG	CFB180LP	180,000 BTU Burner	17" L x 15" D	18 ½"	1/2"	\$723
CFB240NG	CFB240LP	240,000 BTU Burner	21 ½" L x 19 ½" D	23 ⅜"	1/2"	\$844
CFB290NG	CFB290LP	290,000 BTU Burner	21 ½" L x 21 ½" D	25 ¼"	1/2"	\$1,013
CFB300NG	CFB300LP	300,000 BTU Burner	30 ½" L x 30 ½" D	32 ⅝"	3/4"	\$1,179
CFB350NG	CFB350LP	350,000 BTU Burner	30 ½" L x 30 ½" D	32 ⅝"	3/4"	\$1,357
CFB450NG*	CFB450LP*	450,000 BTU Burner	46" L x 46" D	47 ⅜"	3/4"	\$2,119
CFBCUSTNG*	CFBCUSTLP*	Custom BTU Burner - Custom Size and Shape				Call Empire
3412REDUCER	Reducer ¾" to ½" (For use connecting burners with 1/2" inlet to plates and pans with 3/4" inlet)					\$12

*Special Order - Orders shipping direct from Warming Trends in Colorado, actual freight charges will apply.

Call Empire Distributing for quote on Custom Mounting Plate/Pan and Cover

W - Burner includes Waterstop feature.



1. For outdoor/interior use only.
2. Modification of product will void any certification and warranty.
3. Follow all installation instructions and local codes.
4. Recommended to be installed by a certified plumbing professional.
5. All dimensions are true and reflect Warming Trends' specifications as of the revision date.

Recommended Burner Distance from Edge of Fire Pit

The Warming Trends® Patent-Pending CROSSFIRE® Brass Burner utilizes cutting-edge technology to produce a taller, brighter, full flame, replicating a natural, wood burning fire – all while consuming less gas. Made from corrosion resistant and sustainable brass, CROSSFIRE® Brass Burners will not rust and come with a lifetime warranty. All burners are manufactured and assembled in the United States.

OCTAGONAL CROSSFIRE BURNERS

Select a Warming Trends Plate or Pan (see pages 4-7), Crossfire™ Burner and Ignition Kit (see pages 16-17) to make a complete burner system. Add your Media/Logs (see pages 22).

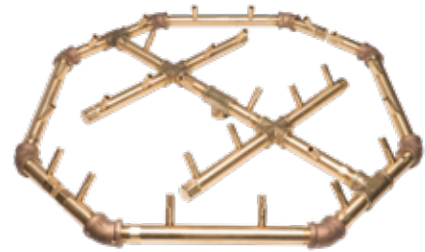
CFBO140^W



CFBO180^W



CFBO280^W



CFBO320^W



CFBO360



OCTAGONAL CROSSFIRE BURNERS

It is recommended that the burner be 4" from inside edge of Fire Pit, Fire Bowl or any Fire Feature.

Item # - NG	Item # - LP	Description	Dimensions	Inlet	Retail
CFBO140NG	CFBO140LP	140,000 BTU Octagonal Burner	12 ½" x 14 ½"	1/2"	\$761
CFBO180NG	CFBO180LP	180,000 BTU Octagonal Burner	14 ¾" x 15 ¾"	1/2"	\$1,025
CFBO280NG	CFBO280LP	280,000 BTU Octagonal Burner	22 ¾" x 21 ¾"	1/2"	\$1,211
CFBO320NG	CFBO320LP	320,000 BTU Octagonal Burner	24 ½" x 24 ½"	1/2"	\$1,503
CFBO360NG	CFBO360LP	360,000 BTU Octagonal Burner	29 ½" x 27 ½"	3/4"	\$1,794
CFBOCUSTNG*	CFBOCUSTLP*	Custom BTU Burner - Custom Size & Shape			Call Empire
3412REDUCER	Reducer ¾" to ½" (For use connecting burners with 1/2" inlet to plates and pans with 3/4" inlet)				\$12

*Special Order - Orders shipping direct from Warming Trends in Colorado, actual freight charges will apply.

Call Empire Distributing for quote on Custom Mounting Plate/Pan and Cover

W - Burner includes Waterstop feature.

1. For outdoor/external use only.
2. Modification of product will void any certification and warranty.
3. Follow all installation instructions and local codes.
4. Recommended to be installed by a certified plumbing professional.
5. All dimensions are true and reflect Warming Trends' specifications as of the revision date.



ORIGINAL VS. OCTAGONAL BURNER VIDEO

The Warming Trends® Patent-Pending CROSSFIRE® Brass Burner utilizes cutting-edge technology to produce a taller, brighter, full flame, replicating a natural, wood burning fire – all while consuming less gas. Made from corrosion resistant and sustainable brass, CROSSFIRE® Brass Burners will not rust and come with a lifetime warranty. All burners are manufactured and assembled in the United States.

RECTANGLE PLATES

Select a Warming Trends Rectangle Plate or Pan, Crossfire™ Tree-Style, Double Tree, H-Style, or Linear Burner (see pages 12-15) and Ignition Kit (see pages 16-17) to make a complete burner system. Add your Media/Logs (see pages 22).

Warming Trends heavy duty aluminum mounting plates provide a solid surface to support your burner and your media choice. This plate is fitted with the proper gas supply connection point to attach the burner to the plate.

NOTE: It is recommended to incorporate 1 vent on at least two opposing sides (2 vents total) at a minimum size of 18 sq. inches each (Example: 3" x 6" or larger). Installation of the vents in the mid to lower area of the enclosure is recommended. Always consult with local municipality regarding any local code requirements. See page 17 for Vent Kit, item number FPVK.



Rectangle Plate



RECTANGLE PLATES - CUT TO FIT (Note: Cut to Fit plates are not returnable.)

Item #	Description	Cut Range Length	Cut Range Width	Inlet	Retail
ALPL3618	Aluminum Rectangle Plate	24" - 36"	6" - 18"	1/2"	\$321
ALPL3624	Aluminum Rectangle Plate	24" - 36"	18" - 24"	1/2"	\$415
ALPL4818	Aluminum Rectangle Plate	36" - 48"	6" - 18"	1/2"	\$415
ALPL4824	Aluminum Rectangle Plate	36" - 48"	18" - 24"	1/2"	\$494
ALPL4832	Aluminum Rectangle Plate	36" - 48"	24" - 32"	3/4"	\$630
ALPL6018	Aluminum Rectangle Plate	48" - 60"	6" - 18"	3/4"	\$509
ALPL6024	Aluminum Rectangle Plate	48" - 60"	18" - 24"	3/4"	\$666
ALPL6032	Aluminum Rectangle Plate	48" - 60"	24" - 32"	3/4"	\$779
ALPL7218	Aluminum Rectangle Plate	60" - 72"	6" - 18"	3/4"	\$780
ALPL7224	Aluminum Rectangle Plate	60" - 72"	18" - 24"	3/4"	\$963
ALPLCUST	Custom Aluminum Plate (We can manufacture any custom shape or size.)				Call Empire

INSTALLATION COLLAR

Installation collars provide support for the aluminum plate, allowing for any size plate to be used for a range of sizes. Order multiple depending on the size of the fire pit.

Item #	Description	Retail
COLLAR	19" Universal Flexible Aluminum Installation Collar (3" Range)	\$30
COLLARF	19" Flexible No Drill Collar (4" Range)	\$32
IC44SS-FF	44" x 6.2" Flexible Install Collar (2 per carton)	\$356.62



COLLAR



IC44SS-FF



COLLARF

RECTANGLE PANS

Select a Warming Trends Rectangle Plate or Pan, Crossfire™ Tree-Style, Double Tree, H-Style, or Linear Burner (see pages 12-15) and Ignition Kit (see pages 16-17) to make a complete burner system. Add your Media/Logs (see pages 22).

Using the Warming Trends heavy duty aluminum mounting pan with 2" sidewalls will provide a solid surface to support your burner and your media choice. This pan is fitted with the proper gas supply connection point to attach the burner to the pan.

NOTE: It is recommended to incorporate 1 vent on at least two opposing sides (2 vents total) at a minimum size of 18 sq. inches each (Example: 3"x 6" or larger). Installation of the vents in the mid to lower area of the enclosure is recommended. Always consult with local municipality regarding any local code requirements. See page 17 for Vent Kit, item number FPVK.



Rectangle Pan



RECTANGLE PANS - CUT TO FIT (with 2" Welded Sidewalls) (Note: Cut to Fit pans are not returnable.)

Item #	Description	Cut Range Length	Cut Range Width	Retail
ALPAN3618	Aluminum Rectangle Pan	24" - 36"	6" - 18"	\$482
ALPAN3624	Aluminum Rectangle Pan	24" - 36"	18" - 24"	\$581
ALPAN4818	Aluminum Rectangle Pan	36" - 48"	6" - 18"	\$587
ALPAN4824	Aluminum Rectangle Pan	36" - 48"	18" - 24"	\$638
ALPAN4832	Aluminum Rectangle Pan	36" - 48"	24" - 32"	\$930
ALPAN6018	Aluminum Rectangle Pan	48" - 60"	6" - 18"	\$691
ALPAN6024	Aluminum Rectangle Pan	48" - 60"	18" - 24"	\$853
ALPAN6032	Aluminum Rectangle Pan	48" - 60"	24" - 32"	\$1,038
ALPAN7218	Aluminum Rectangle Pan	60" - 72"	6" - 18"	\$1,021
ALPAN7224	Aluminum Rectangle Pan	60" - 72"	18" - 24"	\$1,245
ALPANCUST	Custom Aluminum Pan (We can manufacture any custom shape or size.)			Call Empire

INSTALLATION COLLAR

Installation collars provide support for the aluminum plate, allowing for any size plate to be used for a range of sizes. Order multiple depending on the size of the fire pit.

Item #	Description	Retail
COLLAR	19" Universal Flexible Aluminum Installation Collar (3" Range)	\$30
COLLARF	19" Flexible No Drill Collar (4" Range)	\$32
IC44SS-FF	44" x 6.2" Flexible Install Collar (2 per carton)	\$356.62



COLLAR



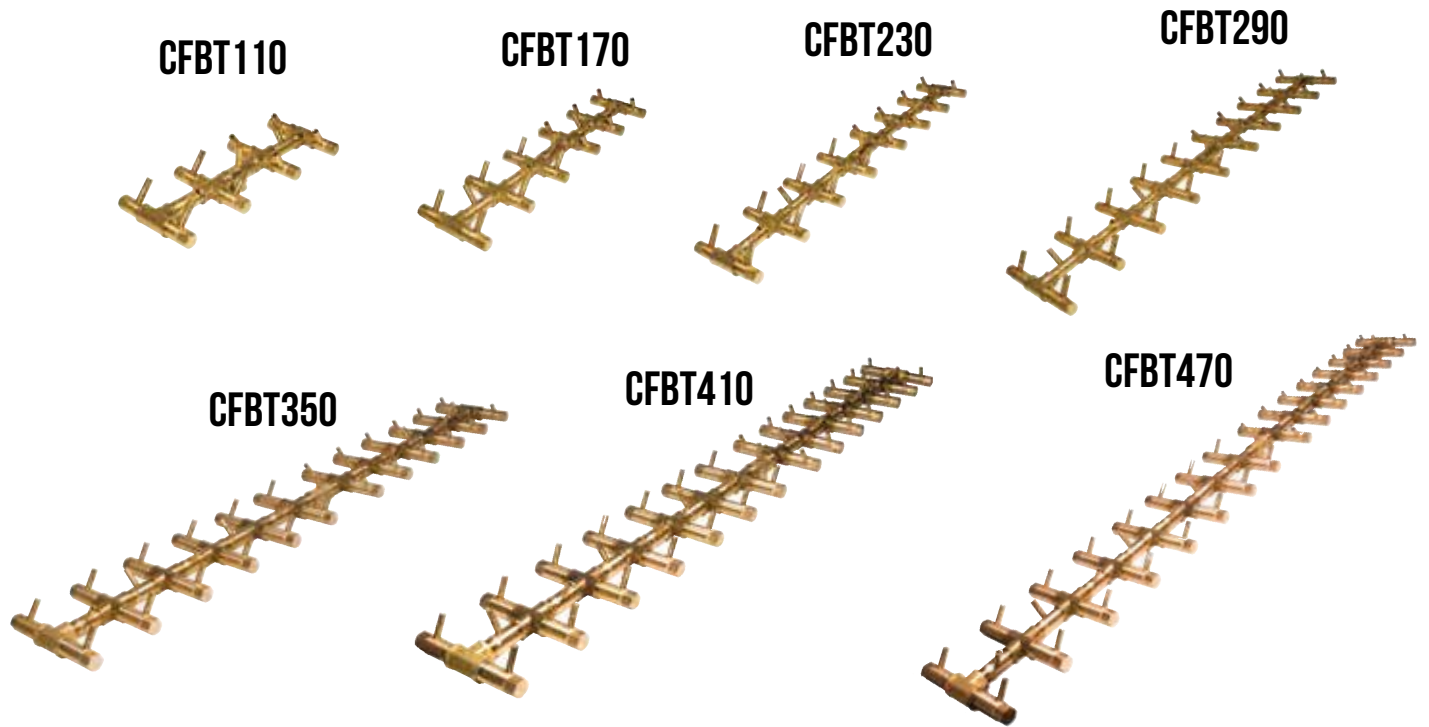
COLLARF



IC44SS-FF

TREE-STYLE CROSSFIRE BURNERS

Select a Warming Trends Rectangle Plate or Pan (see pages 10-11), Crossfire™ Tree-Style Burner and Ignition Kit (see pages 16-17) to make a complete burner system. Add your Media/Logs (see pages 22).



TREE-STYLE CROSSFIRE BURNERS

It is recommended that the burner be 4" from inside edge of Fire Pit, Fire Bowl or any Fire Feature.

Item # - NG	Item # - LP	Description	Dimensions	Inlet	Retail
CFBT110NG	CFBT110LP	110,000 BTU Tree-Style Burner	5 ¼" x 13 ¾"	1/2"	\$561
CFBT170NG	CFBT170LP	170,000 BTU Tree-Style Burner	5 ¼" x 22"	1/2"	\$878
CFBT230NG	CFBT230LP	230,000 BTU Tree-Style Burner	7 ¼" x 30"	1/2"	\$1,090
CFBT290NG	CFBT290LP	290,000 BTU Tree-Style Burner	7 ¼" x 38"	1/2"	\$1,306
CFBT350NG	CFBT350LP	350,000 BTU Tree-Style Burner	7 ½" x 51 ½"	3/4"	\$1,819
CFBT410NG	CFBT410LP	410,000 BTU Tree-Style Burner	7 ½" x 60"	3/4"	\$2,129
CFBT470NG	CFBT470LP	470,000 BTU Tree-Style Burner	7 ½" x 67 ¾"	3/4"	\$2,399
CFBTCUSTNG*	CFBTCUSTLP*	Custom BTU Tree-Style Burner - Custom Size and Shape			Call Empire
3412REDUCER		Reducer ¾" to ½" (For use connecting burners with 1/2" inlet to plates with 3/4" inlet)			\$12

*Special Order - Orders shipping direct from Warming Trends in Colorado, actual freight charges will apply.

Call Empire Distributing for custom quote on a Plate, Pan, or Cover.

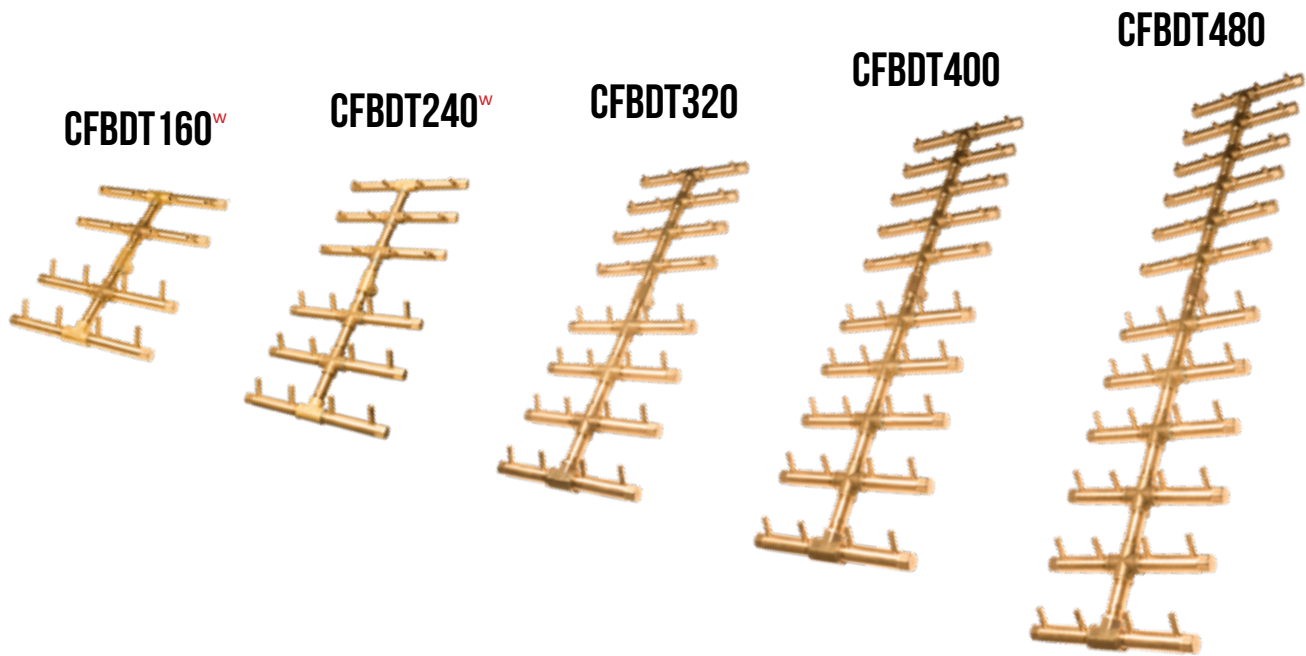
Pans do not have molded couplers. Burner connects directly to flex line.

1. For outdoor/interior use only.
2. Modification of product will void any certification and warranty.
3. Follow all installation instructions and local codes.
4. Recommended to be installed by a certified plumbing professional.
5. All dimensions are true and reflect Warming Trends' specifications as of the revision date.

The Warming Trends® Patent-Pending CROSSFIRE® Brass Burner utilizes cutting-edge technology to produce a taller, brighter, full flame, replicating a natural, wood burning fire – all while consuming less gas. Made from corrosion resistant and sustainable brass, CROSSFIRE® Brass Burners will not rust and come with a lifetime warranty. All burners are manufactured and assembled in the United States.

DOUBLE TREE CROSSFIRE BURNERS

Select a Warming Trends Rectangle Plate or Pan (see pages 10-11), Crossfire™ Tree-Style Burner and Ignition Kit (see pages 16-17) to make a complete burner system. Add your Media/Logs (see pages 22).



DOUBLE TREE CROSSFIRE BURNERS

It is recommended that the burner be 4" from inside edge of Fire Pit, Fire Bowl or any Fire Feature.

Item # - NG	Item # - LP	Description	Dimensions	Inlet	Retail
CFBDT160NG	CFBDT160LP	160,000 BTU Double Tree-Style Burner	11.25" x 15.75"	1/2"	\$775
CFBDT240NG	CFBDT240LP	240,000 BTU Double Tree-Style Burner	11.25" x 23.25"	1/2"	\$1,172
CFBDT320NG	CFBDT320LP	320,000 BTU Double Tree-Style Burner	11.50" x 35.25"	3/4"	\$1,760
CFBDT400NG	CFBDT400LP	400,000 BTU Double Tree-Style Burner	11.50" x 44.25"	3/4"	\$2,203
CFBDT480NG	CFBDT480LP	480,000 BTU Double Tree-Style Burner	11.50" x 53"	3/4"	\$2,644
CFBDTCUSTNG*	CFBDTCUSTLP*	Custom BTU Double Tree-Style Burner - Custom Size and Shape			Call Empire
3412REDUCER	Reducer 3/4" to 1/2" (For use connecting burners with 1/2" inlet to plates with 3/4" inlet)				\$12

*Special Order - Orders shipping direct from Warming Trends in Colorado, actual freight charges will apply.

Call Empire Distributing for custom quote on a Plate, Pan, or Cover.

Pans do not have molded couplers. Burner connects directly to flex line.

W - Burner includes Waterstop feature.

1. For outdoor/interior use only.
2. Modification of product will void any certification and warranty.
3. Follow all installation instructions and local codes.
4. Recommended to be installed by a certified plumbing professional.
5. All dimensions are true and reflect Warming Trends' specifications as of the revision date.

The Warming Trends® Patent-Pending CROSSFIRE® Brass Burner utilizes cutting-edge technology to produce a taller, brighter, full flame, replicating a natural, wood burning fire – all while consuming less gas. Made from corrosion resistant and sustainable brass, CROSSFIRE® Brass Burners will not rust and come with a lifetime warranty. All burners are manufactured and assembled in the United States.

H-STYLE CROSSFIRE BURNERS



Select a Warming Trends Rectangle Plate or Pan (see pages 10-11), Crossfire™ H-Style Burner and Ignition Kit (see pages 16-17) to make a complete burner system. Add your Media/Logs (see pages 22).

CFBH120^W



CFBH160^W



CFBH200^W



CFBH240^W



CFBH300



CFBH340



H-SYTL E CROSSFIRE BURNERS

It is recommended that the burner be 4" from inside edge of Fire Pit, Fire Bowl or any Fire Feature.

Item # - NG	Item # - LP	Description	Dimensions	Inlet	Retail
CFBH120NG	CFBH120LP	120,000 BTU H-Style Burner	7" x 18"	1/2"	\$662
CFBH160NG	CFBH160LP	160,000 BTU H-Style Burner	9" x 24"	1/2"	\$787
CFBH200NG	CFBH200LP	200,000 BTU H-Style Burner	9" x 30"	1/2"	\$901
CFBH240NG	CFBH240LP	240,000 BTU H-Style Burner	9" x 36"	1/2"	\$1,035
CFBH300NG	CFBH300LP	300,000 BTU H-Style Burner	14" x 42"	3/4"	\$1,340
CFBH340NG	CFBH340LP	340,000 BTU H-Style Burner	14" x 48"	3/4"	\$1,500
CFBHCUSTNG*	CFBHCUSTLP*	CUSTOM H-Style Burner			Call Empire
3412REDUCER	Reducer 3/4" to 1/2" (For use connecting burners with 1/2" inlet to plates with 3/4" inlet)				\$12

*Special Order - Orders shipping direct from Warming Trends in Colorado, actual freight charges will apply.

Call Empire Distributing for custom quote on a Plate, Pan, or Cover.

Pans do not have molded couplers. Burner connects directly to flex line.

^W - Burner includes Waterstop feature.

1. For outdoor/interior use only.
2. Modification of product will void any certification and warranty.
3. Follow all installation instructions and local codes.
4. Recommended to be installed by a certified plumbing professional.
5. All dimensions are true and reflect Warming Trends' specifications as of the revision date.

The Warming Trends® Patent-Pending CROSSFIRE® Brass Burner utilizes cutting-edge technology to produce a taller, brighter, full flame, replicating a natural, wood burning fire – all while consuming less gas. Made from corrosion resistant and sustainable brass, CROSSFIRE® Brass Burners will not rust and come with a lifetime warranty. All burners are manufactured and assembled in the United States.

LINEAR CROSSFIRE BURNERS



Select a Warming Trends Rectangle Plate or Pan (see pages 10-11), Crossfire™ Linear Burner and Ignition Kit (see pages 16-17) to make a complete burner system. Add your Media/Logs (see pages 22).

CFBL90**



CFBL110



CFBL130



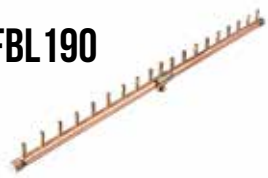
CFBL150



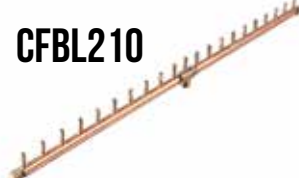
CFBL170



CFBL190



CFBL210



CFBL250



CFBL270



LINEAR CROSSFIRE BURNERS

It is recommended that the burner be 4" from inside edge of Fire Pit, Fire Bowl or any Fire Feature.

Item # - NG	Item # - LP	Description	Length	Inlet	Retail
CFBL90NG**	CFBL90LP**	90,000 BTU Linear Burner	18"	1/2"	\$358
CFBL110NG	CFBL110LP	110,000 BTU Linear Burner	22"	1/2"	\$458
CFBL130NG	CFBL130LP	130,000 BTU Linear Burner	26"	1/2"	\$534
CFBL150NG	CFBL150LP	150,000 BTU Linear Burner	30"	1/2"	\$592
CFBL170NG	CFBL170LP	170,000 BTU Linear Burner	34"	1/2"	\$639
CFBL190NG	CFBL190LP	190,000 BTU Linear Burner	38"	1/2"	\$686
CFBL210NG	CFBL210LP	210,000 BTU Linear Burner	42"	1/2"	\$762
CFBL250NG	CFBL250LP	250,000 BTU Linear Burner	50"	1/2"	\$855
CFBL270NG	CFBL270LP	270,000 BTU Linear Burner	54"	1/2"	\$957
CFBLCUSTNG*	CFBLCUSTLP*	CUSTOM Linear Burner, NG			Call Empire
3412REDUCER	Reducer 3/4" to 1/2" (For use connecting burners with 1/2" inlet to plates with 3/4" inlet)				\$12

*Special Order - Orders shipping direct from Warming Trends in Colorado, actual freight charges will apply.

**While Supplies Last

Call Empire Distributing for custom quote on a Plate, Pan, or Cover.

Pans do not have molded couplers. Burner connects directly to flex line.

1. For outdoor/external use only.
2. Modification of product will void any certification and warranty.
3. Follow all installation instructions and local codes.
4. Recommended to be installed by a certified plumbing professional.
5. All dimensions are true and reflect Warming Trends' specifications as of the revision date.

The Warming Trends® Patent-Pending CROSSFIRE® Brass Burner utilizes cutting-edge technology to produce a taller, brighter, full flame, replicating a natural, wood burning fire – all while consuming less gas. Made from corrosion resistant and sustainable brass, CROSSFIRE® Brass Burners will not rust and come with a lifetime warranty. All burners are manufactured and assembled in the United States.

IGNITION KITS



Match Light Key Valve Kit
FK1



Match Light Key Valve Kit
FK2



Platinum Electronic Ignition



Adjustable Key Valve Extension
FP.EXT



Push Button Ignition
w/ Paver Block Mounting Bracket
PBIK-PBMBR



Mercury Safety Pilot Ignition
MERC

MATCH LIGHT

Item #	Description	BTU's	Retail
FK1	Key Valve Kit (Includes: 36" L x 3/4" Whistle Free Flex Line; 3/4" Connector; 3/4" Key Valve; 12" & 3" Key)	up to 249,000	\$186
FK2	Key Valve Kit (Includes: (2) 36" L x 3/4" Whistle Free Flex Lines, 3/4"-1/2" Reducing Nipple, (2) 3/4" T Fittings, (2) 3" L x 3/4" Pipe Nipple, 3/4" Key Valve, and 12" & 3" Key)	250,000+	\$406
FP.EXT	12" Adjustable Key Valve Extension with 1/2" Banded Coupling		\$16

PUSH BUTTON

Item #	Description	BTU's	Retail
PBMBRFK1	Push Button Ignition Kit (Includes: Paver Block Mounting Bracket, & FK1)	up to 249,000	\$401
PBMBRFK2	Push Button Ignition Kit (Includes: Paver Block Mounting Bracket, & FK2)	250,000+	\$603
PBIK	Push Button Ignition Kit (Spark Igniter rod, wire, and Push Button Operated Control Module)		\$58
PBIK-PBMBR	Push Button Ignition Kit w/ Paver Block Mounting Bracket (for easy mounting of your PBIK into your paver kit)		\$152
PBMBR	Paver Block Mounting Bracket		\$97

MERCURY SAFETY PILOT

Item #	Description	Retail
MERC-NG	Mercury Safety Pilot Ignition w/ Mounting Bracket, NG (<240K)	\$729
MERC-LP	Mercury Safety Pilot Ignition w/ Mounting Bracket, LP (<240K)	\$729
FKM1	Single Flex Line Kit for Mercury Ignition (Up to 250,000 BTU's)	\$119
FKM2	Dual Flex Line Kit for Mercury Ignition (Over 250,000 BTU's. Flame height will be reduced as BTU's increase.)	\$315

PLATINUM ELECTRONIC *(Requires Match Light Kit FK1 or FK2 to complete)*

Electronic Ignition Kits must be factory installed and fire pits must be covered to fulfill warranty requirements.
24V Electronic Ignition Kits are water resistant. **Does NOT include wall switch and remote.** Requires a 110V outlet.

Item # - NG	Item # - LP	Description	For use with	Retail
103063*	103064*	Platinum Electronic Ignition Kit - 1/2" Connection (680K BTU)	1/2" Burner Inlet*	\$1,939
103065*	103066*	Platinum Electronic Ignition Kit - 3/4" Connection (680K BTU)	3/4" Burner Inlet	\$1,939

+For reference, 103063 (NG) 103064 (LP) are for use with 299K BTU or less burners (Original, Tree, Double-Tree and H-Style), 320K BTU or less Octagon Burners, and ALL Linear Burners. All other burners use 103065 (NG) & 103066 (LP).

*All burners with Electronic Ignitions will ship FOB Colorado.

IGNITION KIT ACCESSORIES



Gas Valve Keys



Drip Leg Kit



Fire Pit Vent Kit
(Set of 2)
FPVK



Vent
(Set of 1)
VENTBLOCK-BLK



LP Regulator
with Hose - LPRH



Whistle Free Flex Line
FL3634



Gas Ball Valve,
Straight, BVS2



Key Chain Remote Control
& Receiver - KCRC



Emergency Stop
EMERSTOP



Digital Timer
DT12HRNB

GAS VALVE KEYS

Item # - Brass	Item # - Chrome	Description	Retail
NKY.8.BR	NKY.8.CR	8" Gas Valve Key	\$10
NKY.12.BR	NKY.12.CR	12" Gas Valve Key	\$15
NKY.18.BR	NKY.18.CR	18" Gas Valve Key	\$21
NKY.24.BR	NKY.24.CR	24" Gas Valve Key	\$28

ACCESSORIES

Item #	Description	Retail
DRIP12	1/2" Drip Leg Kit, fits any plate and pan with 1/2" inlet	\$57
DRIP34	3/4" Drip Leg Kit, fits any plate and pan with 3/4" inlet	\$78
FPVK	Fire Pit Vent Kit (Set of 2) (4" x 12", includes hardware)	\$57
VENTBLOCK-BLK	Vent 4" x 8 1/2" Rectangular (1 Vent)	\$43
3412REDUCER	Reducer 3/4" to 1/2" (For use connecting burners with 1/2" inlet to plates with 3/4" inlet)	\$12
LPRH	LP Regulator with a 3/8" 10' Hose (Will only allow flow for up to 180K BTU's. For use with a 20 lb LP tank)	\$181
FL3634	36"L x 3/4" Whistle Free Flex Line; 3/4" Connector	\$135
BVS2	3/4" - 1/4 Turn Ball Valve - Straight	\$36
DTES1HR	1-Hour Dial Timer with Emergency Shut-Off (Compatible with all ignition kits with burners up to 170k BTU's)	\$185

ELECTRONIC ACCESSORIES

Item #	Description	Retail
KCRC*	Wireless Key Chain Remote Control & Plug In Receiver - Universal	\$46
EMERSTOP*	Emergency Stopper Station (Yellow Shell, Mini Weather Stopper Lift Cover w/ Spacer, Turn to Reset Illuminated Red Octagon PUSH button)	\$348
DT12HRNB*	12 Hour Dial Timer - Mounted in NEMA 3 Rated Enclosure	\$465
DT2HRNB*	2 Hour Dial Timer - Mounted in NEMA 3 Rated Enclosure	\$447

*For use with Electronic Ignition Only

POWDER-COATED FIRE PIT COVERS



We recommend you add a cover to any fire feature to prevent water build up. A cover is required with any Warming Trends system utilizing a 24V electronic ignition system. All covers are 1/8" thick Aluminum and **Powder Coated Charcoal Gray** with a UV protected paint.

Note: Be sure to follow Warming Trends recommendations on 4" mounting depth for use of covers.

CIRCULAR COVERS *All covers come with 2 handles. Skirted covers are Special Order.*

Item #	Description ⁺	Covers Openings	Skirt	Retail
SC26C-CG	26" Circular Cover	26" Diameter or smaller	-	\$272
SC26C-1SK-CG*	28" Circular Cover	26" Diameter or smaller	1"	\$404
SC26C-2SK-CG*	28" Circular Cover	26" Diameter or smaller	2"	\$404
SC32C-CG	32" Circular Cover	32" Diameter or smaller	-	\$358
SC32C-1SK-CG*	34" Circular Cover	32" Diameter or smaller	1"	\$517
SC32C-2SK-CG*	34" Circular Cover	32" Diameter or smaller	2"	\$517
SC38C-CG	38" Circular Cover	38" Diameter or smaller	-	\$515
SC38C-1SK-CG*	40" Circular Cover	38" Diameter or smaller	1"	\$703
SC38C-2SK-CG*	40" Circular Cover	38" Diameter or smaller	2"	\$703
SC44C-CG	44" Circular Cover	44" Diameter or smaller	-	\$689
SC44C-1SK-CG*	46" Circular Cover	44" Diameter or smaller	1"	\$907
SC44C-2SK-CG*	46" Circular Cover	44" Diameter or smaller	2"	\$907
SC50C-CG	50" Circular Cover (2 piece)	50" Diameter or smaller	-	\$922
SC50C-1SK-CG*	52" Circular Cover (2 piece)	50" Diameter or smaller	1"	\$1,172
SC50C-2SK-CG*	52" Circular Cover (2 piece)	50" Diameter or smaller	2"	\$1,172



Circular Cover
1 piece



Skirted Cover
1 piece



50" Circular Cover
2 piece

SQUARE COVERS *All covers come with 2 handles. Skirted covers are Special Order.*

Item #	Description ⁺	Covers Openings	Skirt	Retail
SC26S-CG	26" Square Cover	26" x 26" or smaller	-	\$272
SC26S-1SK-CG*	28" Square Cover	26" x 26" or smaller	1"	\$404
SC26S-2SK-CG*	28" Square Cover	26" x 26" or smaller	2"	\$404
SC32S-CG	32" Square Cover	32" x 32" or smaller	-	\$358
SC32S-1SK-CG*	34" Square Cover	32" x 32" or smaller	1"	\$517
SC32S-2SK-CG*	34" Square Cover	32" x 32" or smaller	2"	\$517
SC38S-CG	38" Square Cover	38" x 38" or smaller	-	\$515
SC38S-1SK-CG*	40" Square Cover	38" x 38" or smaller	1"	\$703
SC38S-2SK-CG*	40" Square Cover	38" x 38" or smaller	2"	\$703
SC44S-CG	44" Square Cover	44" x 44" or smaller	-	\$689
SC44S-1SK-CG*	46" Square Cover	44" x 44" or smaller	1"	\$907
SC44S-2SK-CG*	46" Square Cover	44" x 44" or smaller	2"	\$907
SC50S-CG	50" Square Cover (2 piece)	50" x 50" or smaller	-	\$922
SC50S-1SK-CG*	52" Square Cover (2 piece)	50" x 50" or smaller	1"	\$1,172
SC50S-2SK-CG*	52" Square Cover (2 piece)	50" x 50" or smaller	2"	\$1,172



Square Cover
1 piece

*Special Order

+Description refers to Cover's Outside Dimensions

POWDER-COATED FIRE PIT COVERS

All covers are 1/8" thick Aluminum and Powder Coated Charcoal Gray with a UV protected paint.



RECTANGLE COVERS *All covers come with 2 handles. Skirted covers are Special Order.*

Item #	Description ⁺	Covers Openings	Skirt	Retail
SC3012R-CG	30" x 12" Rectangle Cover	30" x 12" or smaller	-	\$283
SC3012R-1SK-CG*	32" x 14" Rectangle Cover	30" x 12" or smaller	1"	\$377
SC3012R-2SK-CG*	32" x 14" Rectangle Cover	30" x 12" or smaller	2"	\$377
SC3820R-CG	38" x 20" Rectangle Cover	38" x 20" or smaller	-	\$362
SC3820R-1SK-CG*	40" x 22" Rectangle Cover	38" x 20" or smaller	1"	\$565
SC3820R-2SK-CG*	40" x 22" Rectangle Cover	38" x 20" or smaller	2"	\$565
SC3826R-CG	38" x 26" Rectangle Cover	38" x 26" or smaller	-	\$471
SC3826R-1SK-CG*	40" x 28" Rectangle Cover	38" x 26" or smaller	1"	\$693
SC3826R-2SK-CG*	40" x 28" Rectangle Cover	38" x 26" or smaller	2"	\$693
SC4016R-CG	40" x 16" Rectangle Cover	40" x 16" or smaller	-	\$330
SC4016R-1SK-CG*	42" x 18" Rectangle Cover	40" x 16" or smaller	1"	\$453
SC4016R-2SK-CG*	42" x 18" Rectangle Cover	40" x 16" or smaller	2"	\$453
SC5020R-CG	50" x 20" Rectangle Cover (2 piece)	50" x 20" or smaller	-	\$493
SC5020R-1SK-CG*	52" x 22" Rectangle Cover (2 piece)	50" x 20" or smaller	1"	\$650
SC5020R-2SK-CG*	52" x 22" Rectangle Cover (2 piece)	50" x 20" or smaller	2"	\$650
SC5026R-CG	50" x 26" Rectangle Cover (2 piece)	50" x 26" or smaller	-	\$693
SC5026R-1SK-CG*	52" x 28" Rectangle Cover (2 piece)	50" x 26" or smaller	1"	\$908
SC5026R-2SK-CG*	52" x 28" Rectangle Cover (2 piece)	50" x 26" or smaller	2"	\$908
SC6220R-CG	62" x 20" Rectangle Cover (2 piece)	62" x 20" or smaller	-	\$664
SC6220R-1SK-CG*	64" x 22" Rectangle Cover (2 piece)	62" x 20" or smaller	1"	\$949
SC6220R-2SK-CG*	64" x 22" Rectangle Cover (2 piece)	62" x 20" or smaller	2"	\$949
SC6226R-CG	62" x 26" Rectangle Cover (2 piece)	62" x 26" or smaller	-	\$787
SC6226R-1SK-CG*	64" x 28" Rectangle Cover (2 piece)	62" x 26" or smaller	1"	\$1,086
SC6226R-2SK-CG*	64" x 28" Rectangle Cover (2 piece)	62" x 26" or smaller	2"	\$1,086
SC7420R-CG	74" x 20" Rectangle Cover (2 piece)	74" x 20" or smaller	-	\$728
SC7420R-1SK-CG*	76" x 22" Rectangle Cover (2 piece)	74" x 20" or smaller	1"	\$1,048
SC7420R-2SK-CG*	76" x 22" Rectangle Cover (2 piece)	74" x 20" or smaller	2"	\$1,048
SC7426R-CG	74" x 26" Rectangle Cover (2 piece)	74" x 26" or smaller	-	\$925
SC7426R-1SK-CG*	76" x 28" Rectangle Cover (2 piece)	74" x 26" or smaller	1"	\$1,265
SC7426R-2SK-CG*	76" x 28" Rectangle Cover (2 piece)	74" x 26" or smaller	2"	\$1,265

Rectangle Cover
2 handle

CUSTOM COVERS

Available in any shape or size your project requires. All custom covers will ship FOB direct from the manufacturer. There is a minimum custom cover charge of \$280 Retail.

Item #	Description	Retail
SC-CUST-TB*	Fire Pit Custom Cover, Textured Bronze	Call for Pricing
SC-CUST-CG*	Fire Pit Custom Cover, Charcoal Gray	

*Special Order

NOTE ABOUT SKIRTED COVERS:

Skirted covers may be necessary when the burner or media protrudes above the lip of your firepit.

All skirted covers are special orders.



We recommend you add a cover to any fire feature to prevent water build up. A cover is required with any Warming Trends system utilizing a 24V electronic ignition system. All covers are Aluminum which will not rust or tarnish.

CIRCULAR COVERS

Item #	Description	Fits Opening Size	Handles	Retail
FPC20C	20" Aluminum Cover, Circular	18"	1	\$239
FPC26C	26" Aluminum Cover, Circular	24"	1	\$325
FPC32C	32" Aluminum Cover, Circular	30"	1	\$471
FPC38C	38" Aluminum Cover, Circular	36"	2	\$781
FPC44C	44" Aluminum Cover, Circular	42"	2	\$835
FPC50C	50" Aluminum Cover, Circular	48"	2	\$995



CIRCULAR COVER

1 handle

SQUARE COVERS

Item #	Description	Fits Opening Size	Handles	Retail
FPC20S	20" Aluminum Cover, Square	18"	1	\$239
FPC26S	26" Aluminum Cover, Square	24"	1	\$325
FPC32S	32" Aluminum Cover, Square	30"	1	\$471
FPC38S	38" Aluminum Cover, Square	36"	2	\$781
FPC44S	44" Aluminum Cover, Square	42"	2	\$835
FPC50S	50" Aluminum Cover, Square	48"	2	\$995



SQUARE COVER

2 handles (Shown)

CUSTOM COVERS

Available in any shape or size your project requires. All custom covers will ship FOB direct from the manufacturer. Powder-coated Warming Trends covers are also available.

Item #	Description	Retail
FPCUST	Custom Cover, Aluminum	Call for Pricing



CUSTOM COVER

2 handles (Shown)

*Special Order - Orders shipping direct from Warming Trends in Colorado, actual freight charges will apply.

WIND GUARDS



Round



Square



Rectangle



Linear

ROUND (Glass Clips Included)

Item #	Description	Assembled Diameter	Retail
WG23-RD	Round Glass Wind Guard	23" Inside Diameter	\$304.28
WG30-RD	Round Glass Wind Guard	30" Inside Diameter	\$364.90
WG38-RD	Round Glass Wind Guard	38" Inside Diameter	\$456.52
WG48-RD	Round Glass Wind Guard	48" Inside Diameter	\$573.79

SQUARE (Glass Clips Included)

Item #	Description	Assembled Dimension (LxWxH)	Retail
WG25-SQ	Square Glass Wind Guard	25" x 25" x 6" Inside Dimensions	\$208.60
WG31-SQ	Square Glass Wind Guard	31" x 31" x 6" Inside Dimensions	\$225.89
WG37-SQ	Square Glass Wind Guard	37" x 37" x 6" Inside Dimensions	\$248.91
WG43-SQ	Square Glass Wind Guard	43" x 43" x 6" Inside Dimensions	\$269.47
WG49-SQ	Square Glass Wind Guard	49" x 49" x 6" Inside Dimensions	\$304.28

RECTANGLE (Glass Clips Included)

Item #	Description	Assembled Dimension (LxWxH)	Retail
WG31X19-RECT	Rectangle Glass Wind Guard	31" x 19" x 6" Inside Dimensions	\$230.38
WG37X19-RECT	Rectangle Glass Wind Guard	37" x 19" x 6" Inside Dimensions	\$247.68
WG43X21-RECT	Rectangle Glass Wind Guard	43" x 21" x 6" Inside Dimensions	\$269.47
WG49X21-RECT	Rectangle Glass Wind Guard	49" x 21" x 6" Inside Dimensions	\$294.49
WG61X23-RECT	Rectangle Glass Wind Guard	61" x 23" x 6" Inside Dimensions	\$347.60

LINEAR (Glass Clips Included)

Item #	Description	Assembled Dimension (LxWxH)	Retail
WG31X15-L	Linear Glass Wind Guard	31" x 15" x 6" Inside Dimensions	\$225.89
WG43X15-L	Linear Glass Wind Guard	43" x 15" x 6" Inside Dimensions	\$260.95
WG55X15-L	Linear Glass Wind Guard	55" x 15" x 6" Inside Dimensions	\$321.57
WG67X15-L	Linear Glass Wind Guard	67" x 15" x 6" Inside Dimensions	\$356.36

WIND GUARD CLIPS (For use with 1/8" glass. Glass not included)

Item #	Description	Retail
GC-90KIT	Wind Guard Clips (Includes: 8 clips to complete square or rectangle wind guard 36" or smaller per side. Glass not included)	\$36
GCS-90KIT	Wind Guard Clips (Includes: 12 clips to complete square or rectangle wind guard 37" or longer per side. Glass not included)	\$43



GC-90 Kit (8 pc)



GCS-90 Kit (12 pc)

Custom sized Wind Guards available. Call Empire for details.

LOG SETS/MEDIA



REFRACTORY LOG SETS

Outdoor fire pit log sets are for use with outdoor burner systems.

Item #	Description	Pieces	Fire Pit Inside Dimensions	Retail
WCS2006FL	20" Wilderness Char	6	18"-24"	\$285
WCS3010FL	30" Wilderness Char	10	24"-40"	\$837
WCS5019FL	50" Wilderness Char	19	40"-60"	\$1,613
WOS3008FL	30" Wilderness Oak	8	24"-40"	\$539
WOS5014FL	50" Wilderness Oak	14	40"-60"	\$1,052
WMS2017FLG	20" Wilderness Campfire w/ Grate	17	18"-24"	\$973
WMS3026FLG	30" Wilderness Campfire w/ Grate	26	24"-40"	\$1,449



Wilderness Char Fire Pit Log Set



Wilderness Oak Fire Pit Log Set



Wilderness Campfire Fire Pit Log Set

REFLECTIVE FIREGLASS ½" Crushed, 25 lb Tub

\$149



Black
EG25-R03MP



Bronze
EG25-R05MP



Cobalt
EG25-R02MP



Copper
EG25-R01MP



Sky Blue
EG25-R04MP



Silver
EG25-R09MP

CLASSIC FIREGLASS ½" Crushed, 25 lb Tub

\$149



Amber Classic
EG25-L12MP



Black Classic
EG25-L02MP



Cobalt
EG25-L13MP



Ice
EG25-L01MP



Ocean Blue
EG25-L05MP



Turquoise
EG25-L04MP

LAVA ROCK & STONE



Lava Rock,
Black
1" - 1½", 40 lb Bag

BLR \$47



Tumbled Lava Stone,
Medium
1" - 2", 50 lb Bag

NL-3050 \$189



Tumbled Lava Stone,
Large
2" - 3", 50 lb Bag

NL-5080 \$189

MEDIA CALCULATOR & GAS PIPE SIZE CHART

FIREGLASS / LAVA STONE MEDIA CALCULATOR

Calculations are for Fire Pits with 3" Media Depth. Measure INSIDE Diameter of Fire Pit.

LAVA ROCK CALCULATOR

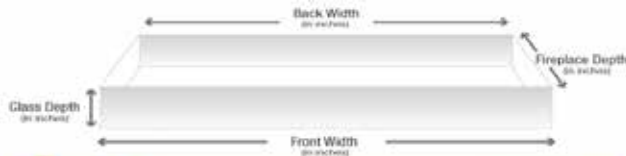
Fireglass or Lava Stone Weight / 2 = Total Lava Rock Weight

Square/Rectangular

Length x Width x 0.16 = Total Fireglass / Lava Stone Weight

	12"	18"	24"	30"	36"	42"	48"	54"	60"	66"	72"
12"	23	35	46	58	69	81	92	104	115	127	138
18"	35	52	69	86	104	121	138	156	173	190	207
24"	46	69	92	115	138	161	184	207	230	253	276
30"	58	86	115	144	173	202	230	259	288	317	346
36"	69	104	138	173	207	242	276	311	346	380	415
42"	81	121	161	202	242	282	323	363	403	444	484
48"	92	138	184	230	276	323	369	415	461	507	553
54"	104	156	207	259	311	363	415	467	518	570	622
60"	115	173	230	288	346	403	461	518	576	634	691
66"	127	190	253	317	380	444	507	570	634	697	760
72"	138	207	276	346	415	484	553	622	691	760	829

Note: For rectangular fireplaces, use the same front width as back width



Round

Radius x Radius x 3.14 x 0.16 = Total Fireglass / Lava Stone Weight

Diameter	Fireglass/Lbs.	Diameter	Fireglass/Lbs.
12"	18	32"	129
14"	25	34"	145
16"	32	36"	163
18"	41	38"	181
20"	50	40"	201
22"	61	42"	222
24"	72	44"	243
26"	85	46"	266
28"	98	48"	289
30"	113	50"	314

Note: Radius = Diameter x .5



GAS PIPE SIZE CHART

Natural Gas Pipe Sizing Chart

Length of Pipe in Feet	Size of Pipe in Inches								
	½"	¾"	1"	1¼"	1½"	2"	2½"	3"	4"
10	108	230	387	793	1237	2259	3640	6434	
20	75	160	280	569	877	1610	2613	5236	9521
30	61	129	224	471	719	1335	2165	4107	7859
40	52	110	196	401	635	1143	1867	3258	6795
50	46	98	177	364	560	1041	1680	2936	6142
60	42	89	159	336	513	957	1559	2684	5647
70	38	82	149	317	476	896	1447	2492	5250
80	36	76	140	239	443	840	1353	2315	4900
90	33	71	133	275	420	793	1288	2203	4667
100	32	68	126	266	411	775	1246	2128	4518
125	28	60	117	243	369	700	1143	1904	4065
150	25	54	105	215	327	625	1008	1689	3645

Natural Gas flow is given in thousands of BTU/hour. One cubic foot of NG gas = 1000 BTU's.
NG Example: A burner that requires 224,000 BTU would need a 1" pipe for a 30' long run.

Liquid Propane Pipe Sizing Chart

Length of Pipe in Feet	Size of Pipe in Inches								
	½"	¾"	1"	1¼"	1½"	2"	2½"	3"	4"
10	275	567	1071	2205	3307	6221	10140	17990	35710
20	189	393	732	1496	2299	4331	7046	12510	25520
30	152	315	590	1212	1858	3465	5695	10110	20620
40	129	267	504	1039	1559	2992	4778	8481	17300
50	114	237	448	913	1417	2646	4343	7708	15730
60	103	217	409	834	1275	2394	3908	6936	14150
80	89	185	346	724	1086	2047	3329	5908	12050
100	78	162	307	630	976	1811	2991	5309	10830
125	69	146	275	567	866	1606	2654	4711	9613
150	63	132	252	511	787	1496	2412	4281	8736

Liquid Propane flow is given in thousands of BTU/hour. One cubic foot of LP gas = 2516 BTU's.
LP Example: A burner that requires 252,000 BTU would need a 1" pipe for a 150' long run.

Note for NG & LP: Pipe length must include additional length for all fittings. Add approximately 5 feet of pipe per fitting.

OUTDOOR FIREPLACE BURNERS

30" Openings



H-STYLE

120,000 BTU's
 Plate Dimensions: 15 1/2" x 9 3/4"
 Grate Dimensions:
 Front width: 22 3/4" Back width: 19 1/4"
 Depth: 17" Leg height: 4"



TREE STYLE

110,000 BTU's
 Plate Dimensions: 25 1/2" x 9 3/4"
 Grate Dimensions:
 Front width: 22 3/4" Back width: 19 1/4"
 Depth: 17" Leg height: 4"

FITS 30" OPENINGS & LARGER

Includes: CROSSFIRE® Brass Burner attached to an elevated black powder-coated aluminum plate, and Steel Grate. Choice of Ignition Kit. Ceramic Log Sets and Lava Rock required (sold separately).

Item # - NG	Item # - LP	Description	BTU's	Ignition	Retail
104355	104356	H-Style Burner	120,000 BTU	Push Button	\$1,341
104357	104358	Tree Style Burner	110,000 BTU	Push Button	\$1,238
104499*	104500*	H-Style Burner	120,000 BTU	Mercury Safety Pilot	\$2,070
104501*	104502*	Tree Style Burner	110,000 BTU	Mercury Safety Pilot	\$1,967
104515*	104516*	H-Style Burner	120,000 BTU	Platinum Electronic	\$3,280
104517*	104518*	Tree Style Burner	110,000 BTU	Platinum Electronic	\$3,177

*Special Order

For Electronic Ignition Accessories, see page 17 of this section.

LOG SETS & MEDIA

Item #	Description	Retail
WCS2006FL	20" Wilderness Char	\$285
WCS3010FL	30" Wilderness Char	\$837
WOS3008FL	30" Wilderness Oak	\$539
BLR	Lava Rock, Black – 40 lb bag	\$47



Wilderness Char Log Set



Wilderness Oak Log Set

1. For outdoor/interior use only.
2. Modification of product will void any certification and warranty.
3. Follow all installation instructions and local codes.
4. Recommended to be installed by a certified plumbing professional.
5. All dimensions are true and reflect Warming Trends' specifications as of the revision date.

The Warming Trends® Patent-Pending CROSSFIRE® Brass Burner utilizes cutting-edge technology to produce a taller, brighter, full flame, replicating a natural, wood burning fire – all while consuming less gas. Made from corrosion resistant and sustainable brass, CROSSFIRE® Brass Burners will not rust and come with a lifetime warranty. All burners are manufactured and assembled in the United States.

OUTDOOR FIREPLACE BURNERS

36" Openings



H-STYLE

160,000 BTU's
 Plate Dimensions: 15 1/2" x 9 3/4"
 Grate Dimensions:
 Front width: 29" Back width: 25 1/2"
 Depth: 17" Leg height: 4"



TREE STYLE

170,000 BTU's
 Plate Dimensions: 15 1/2" x 9 3/4"
 Grate Dimensions:
 Front width: 29" Back width: 25 1/2"
 Depth: 17" Leg height: 4"

FITS 36" OPENINGS & LARGER

Includes: CROSSFIRE® Brass Burner attached to an elevated black powder-coated aluminum plate, and Steel Grate. Choice of Ignition Kit. Ceramic Log Sets and Lava Rock required (sold separately).

Item # - NG	Item # - LP	Description	BTU's	Ignition	Retail
104359	104360	H-Style Burner	160,000 BTU	Push Button	\$1,522
104361	104362	Tree Style Burner	170,000 BTU	Push Button	\$1,610
104503*	104504*	H-Style Burner	160,000 BTU	Mercury Safety Pilot	\$2,251
104505*	104506*	Tree Style Burner	170,000 BTU	Mercury Safety Pilot	\$2,339
104519*	104520*	H-Style Burner	160,000 BTU	Platinum Electronic	\$3,462
104521*	104522*	Tree Style Burner	170,000 BTU	Platinum Electronic	\$3,549

*Special Order

For Electronic Ignition Accessories, see page 17 of this section.

LOG SETS & MEDIA

Item #	Description	Retail
WCS2006FL	20" Wilderness Char	\$285
WCS3010FL	30" Wilderness Char	\$837
WOS3008FL	30" Wilderness Oak	\$539
BLR	Lava Rock, Black – 40 lb bag	\$47



Wilderness Char Log Set



Wilderness Oak Log Set

1. For outdoor/interior use only.
2. Modification of product will void any certification and warranty.
3. Follow all installation instructions and local codes.
4. Recommended to be installed by a certified plumbing professional.
5. All dimensions are true and reflect Warming Trends' specifications as of the revision date.

The Warming Trends® Patent-Pending CROSSFIRE® Brass Burner utilizes cutting-edge technology to produce a taller, brighter, full flame, replicating a natural, wood burning fire – all while consuming less gas. Made from corrosion resistant and sustainable brass, CROSSFIRE® Brass Burners will not rust and come with a lifetime warranty. All burners are manufactured and assembled in the United States.

OUTDOOR FIREPLACE BURNERS

42" Openings



H-STYLE



TREE STYLE

200,000 BTU's
 Plate Dimensions: 27" x 10 1/2"
 Grate Dimensions:
 Front Width: 32 1/2" Back Width: 31"
 Depth: 16 1/4" Leg Height: 4"

230,000 BTU's
 Plate Dimensions: 27" x 10 1/2"
 Grate Dimensions:
 Front Width: 32 1/2" Back Width: 31"
 Depth: 16 1/4" Leg Height: 4"

FIT 42" OPENINGS & LARGER

Includes: CROSSFIRE® Brass Burner attached to an elevated black powder-coated aluminum plate, and Steel Grate. Choice of Ignition Kit. Ceramic Log Sets and Lava Rock required (sold separately).

Item # - NG	Item # - LP	Description	BTU's	Ignition	Retail
104363	104364	H-Style Burner	200,000 BTU	Push Button	\$1,718
104365	104366	Tree Style Burner	230,000 BTU	Push Button	\$1,905
104507*	104508*	H-Style Burner	200,000 BTU	Mercury Safety Pilot	\$2,447
104509*	104510*	Tree Style Burner	230,000 BTU	Mercury Safety Pilot	\$2,634
104523*	104524*	H-Style Burner	200,000 BTU	Platinum Electronic	\$3,657
104525*	104526*	Tree Style Burner	230,000 BTU	Platinum Electronic	\$3,844

*Special Order

For Electronic Ignition Accessories, see page 17 of this section.

LOG SETS & MEDIA

Item #	Description	Retail
WCS2006FL	20" Wilderness Char	\$285
WCS3010FL	30" Wilderness Char	\$837
WOS3008FL	30" Wilderness Oak	\$539
BLR	Lava Rock, Black – 40 lb bag	\$47



Wilderness Char Log Set



Wilderness Oak Log Set

1. For outdoor/interior use only.
2. Modification of product will void any certification and warranty.
3. Follow all installation instructions and local codes.
4. Recommended to be installed by a certified plumbing professional.
5. All dimensions are true and reflect Warming Trends' specifications as of the revision date.

The Warming Trends® Patent-Pending CROSSFIRE® Brass Burner utilizes cutting-edge technology to produce a taller, brighter, full flame, replicating a natural, wood burning fire – all while consuming less gas. Made from corrosion resistant and sustainable brass, CROSSFIRE® Brass Burners will not rust and come with a lifetime warranty. All burners are manufactured and assembled in the United States.

OUTDOOR FIREPLACE BURNERS

48" Openings



H-STYLE



TREE STYLE

240,000 BTU's
 Plate Dimensions: 27" x 10 1/2"
 Grate Dimensions:
 Front Width: 43 1/2" Back Width: 42"
 Depth: 17" Leg Height: 4"

290,000 BTU's
 Plate Dimensions: 27" x 10 1/2"
 Grate Dimensions:
 Front Width: 43 1/2" Back Width: 42"
 Depth: 17" Leg Height: 4"

FIT 48" OPENINGS & LARGER

Includes: CROSSFIRE® Brass Burner attached to an elevated black powder-coated aluminum plate, and Steel Grate. Choice of Ignition Kit. Ceramic Log Sets and Lava Rock required (sold separately).

Item # - NG	Item # - LP	Description	BTU's	Ignition	Retail
104367*	104368*	H-Style Burner	240,000 BTU	Push Button	\$2,205
104369*	104370*	Tree Style Burner	290,000 BTU	Push Button	\$2,287
104511*	104512*	H-Style Burner	240,000 BTU	Mercury Safety Pilot	\$2,934
104513*	104514*	Tree Style Burner	290,000 BTU	Mercury Safety Pilot	\$3,016
104527*	104528*	H-Style Burner	240,000 BTU	Platinum Electronic	\$4,144
104529*	104530*	Tree Style Burner	290,000 BTU	Platinum Electronic	\$4,226

*Special Order

For Electronic Ignition Accessories, see page 17 of this section.

LOG SETS & MEDIA

Item #	Description	Retail
WCS2006FL	20" Wilderness Char	\$285
WCS3010FL	30" Wilderness Char	\$837
WOS3008FL	30" Wilderness Oak	\$539
BLR	Lava Rock, Black – 40 lb bag	\$47



Wilderness Char Log Set



Wilderness Oak Log Set

1. For outdoor/interior use only.
2. Modification of product will void any certification and warranty.
3. Follow all installation instructions and local codes.
4. Recommended to be installed by a certified plumbing professional.
5. All dimensions are true and reflect Warming Trends' specifications as of the revision date.

The Warming Trends® Patent-Pending CROSSFIRE® Brass Burner utilizes cutting-edge technology to produce a taller, brighter, full flame, replicating a natural, wood burning fire – all while consuming less gas. Made from corrosion resistant and sustainable brass, CROSSFIRE® Brass Burners will not rust and come with a lifetime warranty. All burners are manufactured and assembled in the United States.



FIRESTORM STEEL LOG KIT

Includes: 32" Hand-crafted Steel Log, CFBL150 Burner, and 38" x 10" Aluminum Plate

Item #	Description	Retail
FSL32LP	FireStorm Steel Log Kit, LP	\$1,400
FSL32NG	FireStorm Steel Log Kit, NG	\$1,400

(FireStorm log is not compatible with push button, mercury, or electronic ignition.)



Scan Code to see
Firestorm Steel Logs Burning Video

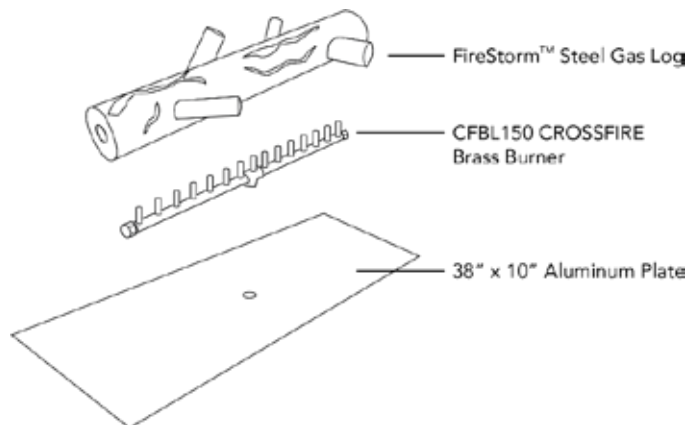
ACCESSORIES

For a list of media, see page 22. For all other accessories, see pages 16-17.

Item #	Description	Retail
FK1	Match Light Key Valve Kit (Includes: 36" L x 3/4" Diameter Whistle Free Flex Line; 3/4" Connector; 3/4" Key Valve; 12" & 3" Key)	\$186
FP.EXT	12" Adjustable Key Valve Extension with 1/2" Banded Coupling	\$16
FPVK	Fire Pit Vent Kit - Set of 2 (4" x 12", includes hardware)	\$57
BLR	Lava Rock 1" - 1 1/2", Black (40 lb bag)	\$47

FEATURES

- Handcrafted, one-of-a-kind steel log
- Integrated burner compounds the effects of the Crossfire Brass Burner, creating a beautiful flame pattern
- Simple and easy installation
- Kit includes 150K BTU Crossfire Brass Burner (NG or LP), Firestorm Steel Log, and aluminum plate



FireStorm Log