



# READY TO FINISH KITCHENS

## OUTDOOR KITCHENS & GRILL ISLANDS

REV: 05/24/24

Empire Distributing offers two Ready to Finish Outdoor Kitchen options, Stone Age and EZ Finish. Speed up the outdoor kitchen installation and finish with your own veneer.



Stone Age Kitchen concrete panels provide a quick and customizable on-site installation. They offer a fast, efficient, and more durable way to construct a Ready-to-Finish Kitchen.

## TABLE OF CONTENTS

### STONE AGE KITCHENS

Stone Age Panels & Brackets .....	2
Pricing .....	3

### EZ FINISH KITCHENS

4 Steps to an EZ Finish Kitchen .....	4
Pricing .....	5

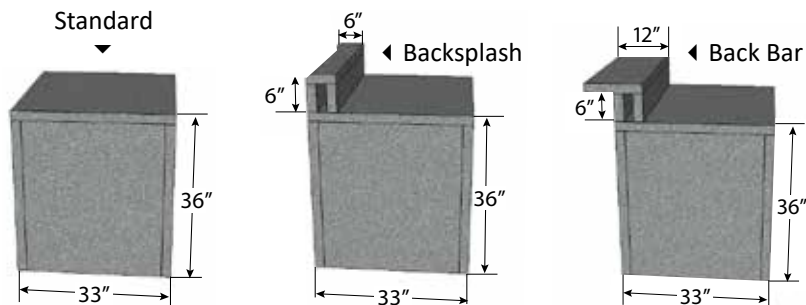


EZ Finish Outdoor Systems is the perfect solution for designing and framing your outdoor kitchen, fire pit or fireplace structure. Select your own appliances and EZ Finish will design a custom structure that is ready to finish with your favorite veneer and countertop material.

# STONE AGE MASONRY KITCHENS



## Panels & Brackets for Outdoor Kitchen Bases



All units are 33" deep. Masonry Cabinets weigh approx. 70 lbs per linear foot.

Build the base of any masonry kitchen in 3-4 hours using Stone Age panels and brackets. Veneer the same day.

Solid concrete panels, galvanized steel brackets.  
Include Stone Age Pizza Oven or Fireplace Kits if desired.



**2' panels can include:**

- Ice Maker
- Side Burner
- Towel Holder



**4' panels can include:**

- 32" Grill & Larger (up to 42")
- Warming Drawer
- 32" or 38" Beverage Center
- Drawer Door Combos
- Dry Pantries
- Double Access Doors



**3' panels can include:**

- 26" Grill
- Refrigerator
- Trash
- 15" Sink
- Drawer Units

2', 3', and 4' panels can be ordered with cut-outs for grills, appliances and storage reinforced with rebar, or can be cut on site and reconfigured seamlessly.

Free kitchen design help available.



Scan to watch a quick installation video.

# KITCHEN PANELS & BRACKETS

## Masonry Outdoor Kitchens



## Stone Age Panels

Solid concrete panels. Assemble with included galvanized steel brackets.

**Base installs in 3-4 hours.**

Veneer the same day.

Kitchen extension sections include Front, Back and Top panels, as well as necessary brackets for assembly.

Backsplashes and Back Bars are sold in 3' sections complete with necessary brackets.

Stainless steel grills and components sold separately.

## STONE AGE PANELS

Item #	Description	Dimensions	Retail
SA-KITSTARTER*	Kitchen Starter - Required		\$700
SA-KITEXT2	2' Kitchen Extensions	24" W x 33" D x 36" H	\$370
SA-KITEXT3	3' Kitchen Extensions	36" W x 33" D x 36" H	\$555
SA-KITEXT4	4' Kitchen Extensions	48" W x 33" D x 36" H	\$740
SA-KIT-3FCON	45° Corner Conversion Kit		\$918
SA-KIT-3LCON	90° Corner Conversion Kit		\$918
SA-BSWOT	Backsplash	36" W x 6" D x 6" H	\$398
SA-BSWT	Kitchen Back Bar	36" W x 12" D x 6" H	\$580
SA-CAB-SPECCUT	Kitchen Cabinet, Cut-Out Upcharge		\$100/section

*\*REQUIRED: Each custom kitchen order must include a Starter Kit. Kit includes: (2) End Panels, (4) Corner lower brackets, (2) Corner Double Weld Top Brackets, and (2) Double Weld Straight Top Brackets*

## SPECIFICATIONS

- Solid concrete panels
- Galvanized steel brackets
- Veneer as desired the same day
- Backsplashes and Back Bars available
- Panels can be ordered with cut-outs to fit your appliances or can be cut on site
- 4"-6" concrete pad reinforced down to the frost line recommended prior to installation to prevent frost heave.



CALL  
716-725-0236  
TO ORDER



# EZ FINISH OUTDOOR SYSTEMS

EZ Finish Outdoor Systems is the perfect solution for designing and framing your outdoor kitchen, firepit or fireplace structure. Select your own appliances and EZ Finish will design a custom structure that is ready to finish with your favorite veneer and countertop material.

Save time and save money, let the team at EZ finish handle the design, framing and sheathing process. All Aluminum tubing is fully welded providing a strong, square and corrosion resistant structure. Each structure is sheathed in Hardie Backer, using epoxy and mechanical fasteners for a solid base to adhere your veneer material. Provide a sketch and let EZ Finish do the rest!

## 4 Easy Steps to a EZ Finish Outdoor Kitchen



Send EZ Finish a sketch of your dream outdoor structure.



EZ Finish will provide a complete computer rendering of your project, including dimensions.



With your seal of approval, EZ Finsih will construct your order.



Completed structures will be shipped to your location.



# ISLAND SYSTEMS

Custom Made Outdoor Kitchens



For more information or to place your order, please call EZ Finish Systems at (716) 725-0236.



## STRAIGHT CABINETS

*Retail price is per linear foot.*

Item #	Description	Dimensions	Retail
EZF-SC	Straight Cabinet	30"D x 36"H	\$299
EZF-SCWBS	Straight Cabinet with Backsplash	34"D x 42"H (to Top of Backsplash)	\$330
EZF-SCWB	Straight Cabinet with Bar	34"D x 42"H (Bar Top 12"D)	\$370
EZF-SCWBFR	Straight Cabinet with Bar and Footrest	37"D x 42"H (Bar Top 12"D)	\$407

## ACCESSORIES

Item #	Description	Retail
EZF-EB	Electrical Box, Outdoor Rated (Factory Installed. Includes 14/2 outdoor rated wire)	\$99
ISL-LEVEL	Extra Strength Leveling Legs (Qty 2)	\$38

## SPECIFICATIONS

- Constructed with 1x1 welded aluminum frame (.125 thick) for stability and longevity
- 6" Water Proof membrane on bottom
- Sheathed in Hardie Board – additional substraight available upon request; pricing may differ
- Optional leveling legs and electrical boxes
- 10 Year Warranty
- Please allow 3 – 4 weeks for delivery
- 50% deposit required and remaining amount due before shipment

## LITERATURE

Item No	Description	Retail
EZLIT	EZ Finish Islands (1 page)	N/C
EZCAT	EZ Finish Full Catalog	N/C

Curved Cabinets, Outdoor Fireplaces, and Firepits  
**Call for Pricing (716) 725-0236**

# READY TO FINISH ISLANDS

## Ready-to-Finish Outdoor Kitchens

For more information or to place your order, please call EZ Finish Systems at (716) 725-0236.

