



FIRE FEATURES & TABLES

FIRE FEATURES | GAS TORCHES | FIRE TABLES

REV: 05/24/24



TABLE OF CONTENTS

FIRE FEATURES

- Tempest Torches & Lanterns..... 2
- TK Torches..... 6
- Cove Fire Bowls..... 8
- Blaze Fire Bowls 12

FIRE TABLES

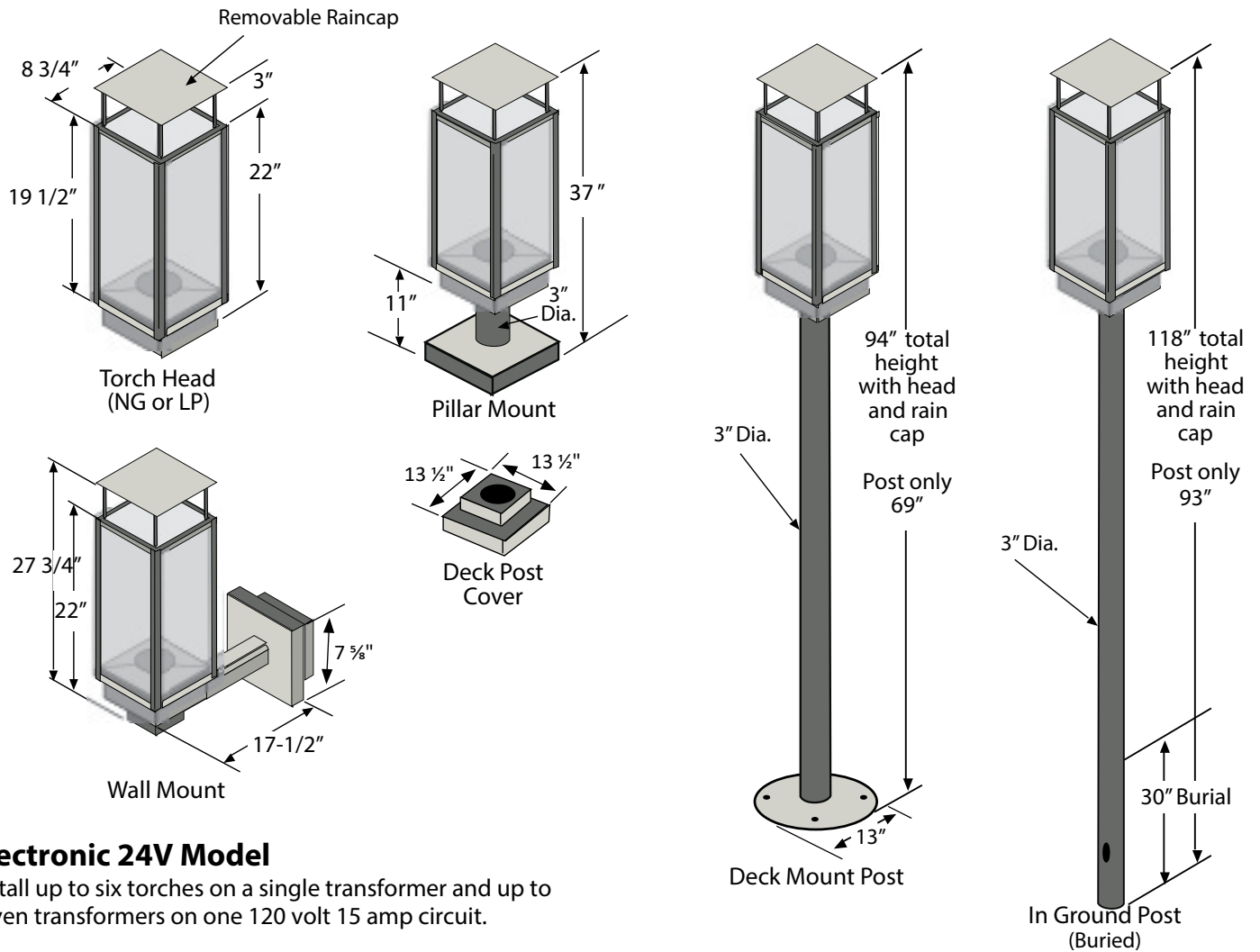
- Outdoor GreatRoom 9
- Blaze Rectangle Fire Table..... 11

LITERATURE

Item #	Description	Retail
OGCAT	Outdoor GreatRoom	N/C

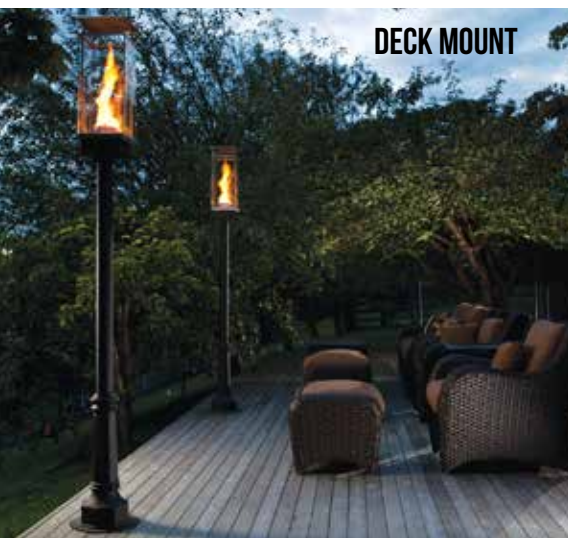
TEMPEST™

GAS TORCHES AND LANTERNS



Electronic 24V Model

Install up to six torches on a single transformer and up to seven transformers on one 120 volt 15 amp circuit.



TEMPEST TRADITIONAL



TEMPEST TRADITIONAL, MANUAL SPARK IGNITION *(Must select a mounting option)*

Features easy access control panel with spark igniter for easy lighting and high to low flame control. (Stainless Steel)

Item #	Description	Retail
94900743	Torch Head – NG (20,000 BTU's)	\$1,097
94900753	Torch Head – LP (20,000 BTU's)	\$1,097

TEMPEST TRADITIONAL, 24V ELECTRONIC IGNITION *(Must select a transformer and mounting option)*

Makes operation simple - A flip of a switch in your home will allow you to light all your torches at once. Each torch requires 0.5 amps. Make sure the circuit and wire are sized appropriately. (Torch Head includes all hardware for any mounting option.) (Stainless Steel)

Item #	Description	Retail
94900745	Torch Head w/ Electronic Ignition - NG (requires Transformer Part #94800830 or #94800833)	\$1,834
94900755	Torch Head w/ Electronic Ignition - LP (requires Transformer Part #94800830 or #94800833)	\$1,834
94800830	Transformer, 24V/26V/28V (Required for Part #94900745 & 94900755) (Can run up to six 24V torches. Transformer can be located to up 1,168 ft. from single torch, or approximately 165 ft. from group of six torches.)	\$292
94800833	Transformer, 24V (Includes single 24V lead up to 95'. Can run 1 Fire Garden product.) NEW	TBA

MOUNTING OPTIONS

Item #	Description	Retail
94800813	Post, In Ground – Black (3" x 93", includes ½" flex)	\$288
94800812	Post, Deck – Black (3" x 69", includes ½" flex)	\$273
94800821	Deck Mount – Black (13" x 5") (For use with Deck Post)	\$218
94800827	Deck Mount Cover, Square – Black (Covers Deck Mount #94800821) (13"W x 6"H)	\$191
94800825	Wall Mount – Black (Compatible with Tempest Torch 20K only)	\$395
94800826	Pillar Mount – Black (11"H with 3" Round Post) (For installation on raised pillar or pedestal)	\$191

FEATURES

- Tempered glass (easily removed for cleaning)
- Durable stainless steel frame and burner
- Automatic gas shut off, if flame goes out
- Easy access control panel
- Wet weather lighting port (Manual Ignition)
- Single On/Off and flame height control (Manual Ignition)
- Rain Cap (optional to use)

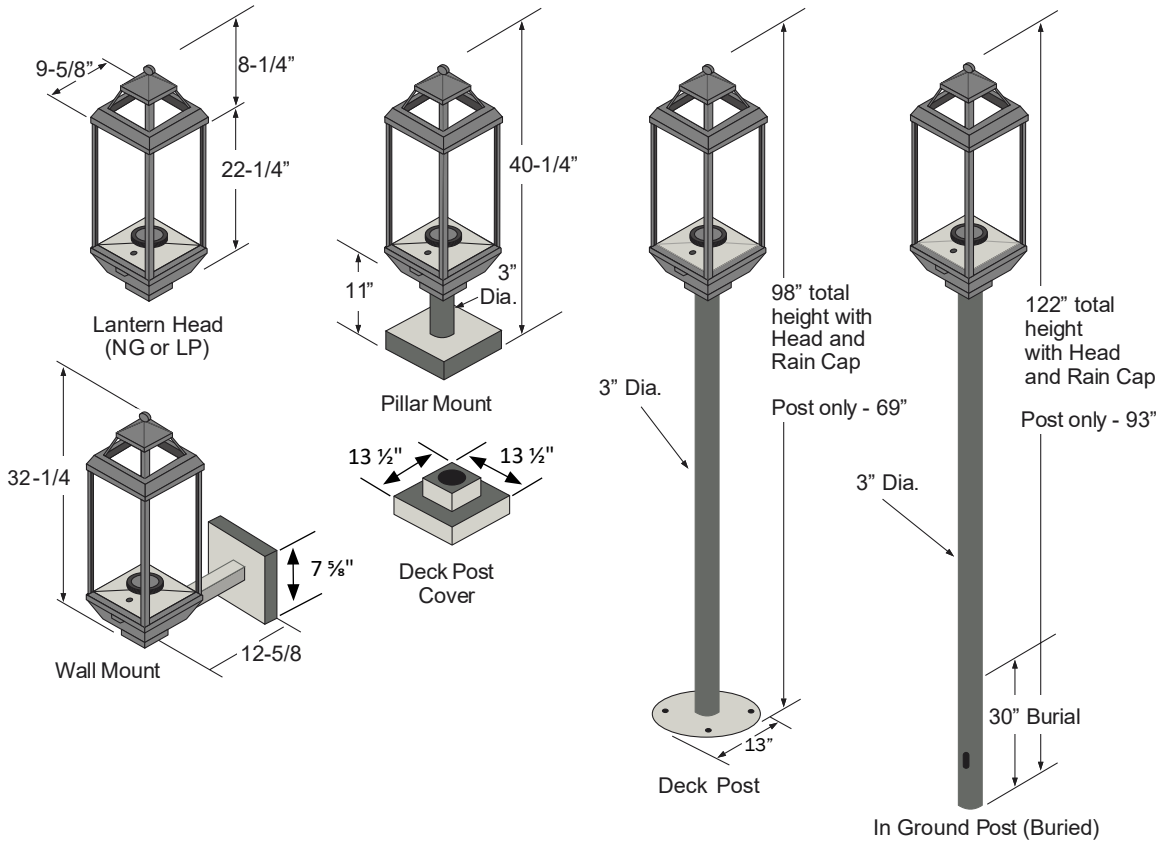
SPECIFICATIONS

Gas Rating	NG	LP
BTU/Hour HIGH	20,000	20,000

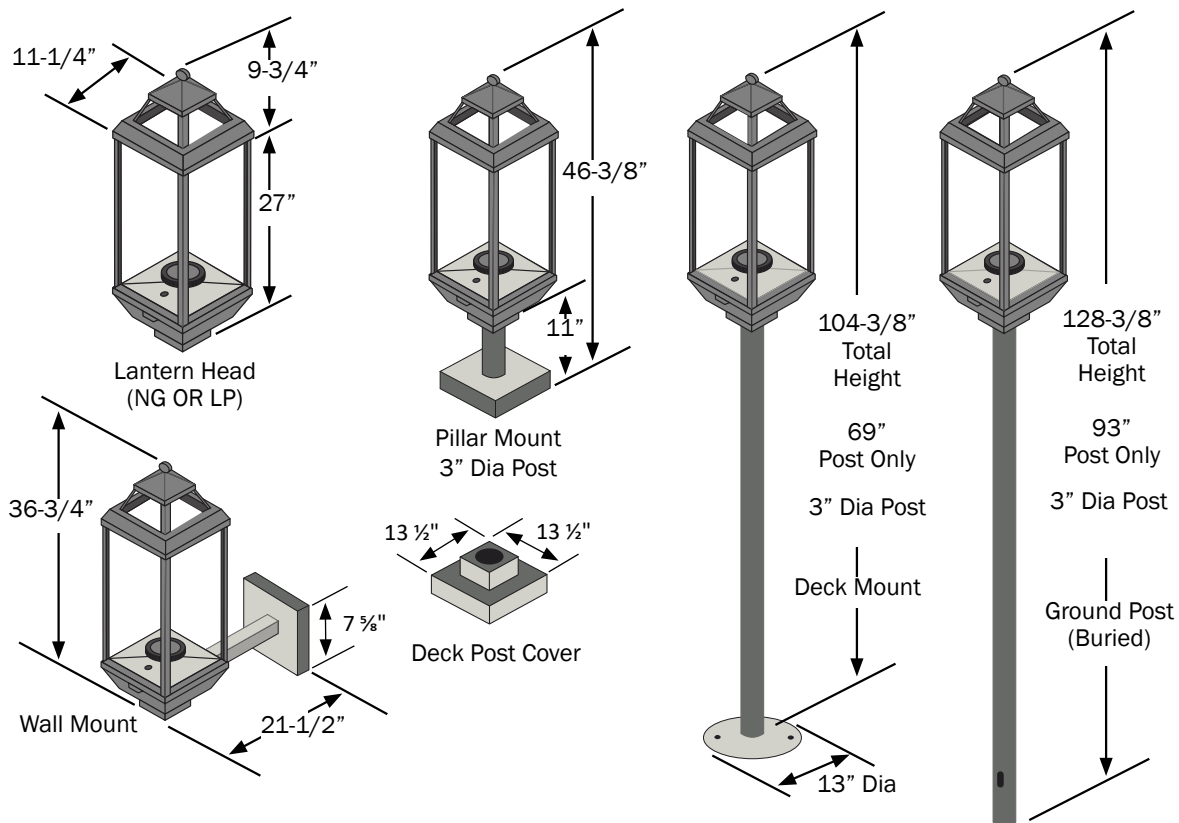
Fire Garden products are not available in all territories.

TEMPEST LANTERN

20K TEMPEST LANTERN™



50K TEMPEST LANTERN™



TEMPEST LANTERN



TEMPEST LANTERN, MANUAL SPARK IGNITION *(Must select a mounting option)*

Features easy access control panel with spark igniter for easy lighting and high to low flame control.

Item #	Description	Retail
94900746	Lantern Head – NG (20,000 BTU's)	\$1,454
94900756	Lantern Head – LP (20,000 BTU's)	\$1,454

TEMPEST LANTERN, 24V ELECTRONIC IGNITION *(Must select a transformer and mounting option)*

Makes operation simple - A flip of a switch in your home will allow you to light all your torches at once. Each lantern requires 0.5 amps. Make sure the circuit and wire are sized appropriately. (Lantern Head includes all hardware needed for any mounting option.)

Item #	Description	Retail
94900747	Lantern Head w/ Electronic Ignition - NG (20,000 BTU's) (Requires Transformer 94800830 or 94800833)	\$2,081
94900757	Lantern Head w/ Electronic Ignition - LP (20,000 BTU's) (Requires Transformer 94800830 or 94800833)	\$2,081
94900748	Lantern Head w/ Electronic Ignition - NG/LP (50,000 BTU's) (Requires Transformer 94800830 or 94800833)	\$3,383
94800830	Transformer, 24V/26V/28V (Required for Part #94900747, 94900757 & 94900748) (Can run up to six 24V torches. Transformer can be located to up 1,168 ft. from single torch, or approximately 165 ft. from group of six torches.)	\$292
94800833	Transformer, 24V (Includes single 24V lead up to 95'. Can run 1 Fire Garden product.)	TBA

MOUNTING OPTIONS

Item #	Description	Retail
94800813	Post, In Ground – Black (3" x 93", includes ½" flex)	\$288
94800812	Post, Deck – Black (3" x 69", includes ½" flex)	\$273
94800821	Deck Mount – Black (13" x 5") (For use with Deck Post)	\$218
94800827	Deck Mount Cover, Square – Black (Covers Deck Mount #94800821) (13"W x 6"H)	\$191
94800831	Wall Mount – Black (Compatible with Tempest Lantern 20K only)	\$412
94800832	Wall Mount – Black (Compatible with Tempest Lantern 50K only)	\$468
94800826	Pillar Mount – Black (11"H with 3" Round Post) (For installation on raised pillar or pedestal)	\$191

FEATURES

- Tempered glass (easily removed for cleaning)
- Durable stainless steel frame and burner
- Automatic gas shut off, if flame goes out
- Easy access control panel
- Wet weather lighting port (Manual Ignition)
- Single On/Off and flame height control (Manual Ignition)



Fire Garden products are not available in all territories.

TK TORCH

BLACK & COPPER



TK TORCH

Now the backyard can have that resort feeling. How nice it is to have instant "tiki" style fire at your finger tips. No more picking up fuel; No more filling with messy oils or gel. These torches are state of the art, very robust, reliable, and built to last.

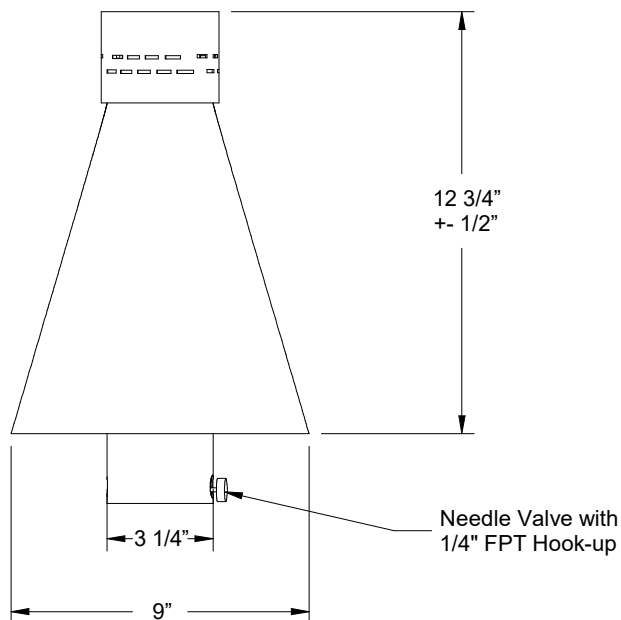


FEATURES

- Burner assembly made of rugged #304 stainless steel for durability
- Outdoor powder coated post
- Built for Natural Gas or LP
- 25,000 BTU's
- 3-Year Warranty on hardware, 1-Year Warranty on gas controls
- Kano tops available in 2 styles: Hammered Copper or Black Finish
- Available as Post Mount or Surface Mount
- Manual Match Light

Size: 84" Tall (with 12" underground)

Burner: TK



TK TORCH

BLACK & COPPER



Black Torch Head



Copper Torch Head



940-POSTMOUNT



940-POST

TK TORCH, BLACK

Item #	Description	Retail
TK40MAN-B-NG	Torch Complete w/ 96" Post - Black, NG	\$928.91
TK40MAN-B-LP	Torch Complete w/ 96" Post - Black, LP	\$928.91
TKHD40MAN-B-NG	Torch Head Only - Black, NG (Must select a mounting option)	\$637.48
TKHD40MAN-B-LP	Torch Head Only - Black, LP (Must select a mounting option)	\$637.48

TK TORCH, COPPER

Item #	Description	Retail
TK40MAN-C-NG	Torch Complete w/ 96" Post - Copper, NG	\$928.91
TK40MAN-C-LP	Torch Complete w/ 96" Post - Copper, LP	\$928.91
TKHD40MAN-C-NG	Torch Head Only - Copper, NG (Must select a mounting option)	\$637.48
TKHD40MAN-C-LP	Torch Head Only - Copper, LP (Must select a mounting option)	\$637.48

ACCESSORIES

Item #	Description	Retail
FPC-TK TORCH	Cover TK Torch	\$66.60
940-POSTMOUNT	Post Mount for TK Post	\$436.80
940-POST	Post for TK Torch , 96"	\$307.99
580-TIKI	Quick Disconnect Hose / Assembly 144" x 3/8"	\$100.76

COVE ROUND



The Cove Collection is the perfect addition to any contemporary outdoor space. The Supercast concrete lets the focus be on the stunning Crystal Fire™ Burner. The organic, natural appearance of the concrete is unique to each unit and color variations, pitting, and wear are common attributes to the beauty of the fire pit.

FIRE FEATURES (Comes ready for propane. Electronic Ignition available as a special order.)

Includes: Stainless Steel Burner, Burner Cover, Clear Glass Gems, Push Button Direct Spark Igniter with Variable Flame Control, and Natural Gas Conversion Kit.

Item #	Description	Color	Dimensions	Retail
CV-20	Cove 20" Round, Supercast Concrete Bowl	Natural Grey	29 ¼"W x 15 ¼"H	\$2,449
CV-30	Cove 30" Round, Supercast Concrete Bowl	Natural Grey	42"W x 19"H	\$3,599
CV-30MM	Cove 30" Round, Supercast Concrete Bowl	Midnight Mist	42"W x 19"H	\$3,899
CV-30WT	Cove 30" Round, Supercast Concrete Bowl	White	42"W x 19"H	\$3,899

OPTIONS

Item #	Description	Retail
GLASSGUARD-20R	Wind Guard, Tempered Glass for CV-20	\$309
GLASSGUARD-30R	Wind Guard, Tempered Glass for CV-30	\$429
CVR36	Weather Cover, Round for CV-20 (Tan Polyester Ripstop Cover with Drawstring)	\$69
CVR42	Weather Cover, Round for CV-30 (Tan Polyester Ripstop Cover with Drawstring)	\$80

ELECTRONIC IGNITION (Only Available on CV-30. Must be Factory Installed)

Item #	Description	Retail
CF-DSI-NG*	Crystal Fire® Automatic Ignition System	\$1,499
CF-DSI-LP*	Crystal Fire® Automatic Ignition System	\$1,499
CF-DSI-R*	Remote Control	\$129
4HRTC*	4-Hour Timer	\$199
4HRTES-CP*	4-Hour Timer with E-Stop	\$249
CF-DSI-60MT*	60 Minute Timer Switch	\$199
CFP-ES*	Emergency Stop Button	\$119

*Special Order



Cove Natural Grey, CV-30



Cove Midnight Mist, CV-30MM



Cove White, CV-30WT

FEATURES

- Stainless Steel Burner
- Contemporary raw concrete finish is unique to each fire pit, common attributes include pitting and color density variation
- CV-20 uses 10 lbs media, CV-30 uses 25 lbs media.
- UL Listed



Burner Cover



Glass Wind Guard



Stonefire Fire Table w/ Empire Chairs

FIRE PIT TABLES *(Ships ready for 20 lb propane tank.)*

Fire Pit Tables come with 16" Round Crystal Fire SS Burner (55,000 BTU) with Diamond Crystal Fire Gems (10 lbs), and Burner Cover. Includes Hose, Regulator, Gas Valve, Metal Flex Hose, Natural Gas Orifice, Propane Orifice, and Electronic Piezo. Accepts 20 lb LP tank in base (tank not included).

Item #	Description	Retail
SF-32-K	32" Stonefire Fire Table with Brown Stonefire Composite Top & Dora Brown Mesh Base	\$999
SF-32-GREY-K	32" Stonefire Fire Table with Grey Stonefire Composite Top & Grey Mesh Base	\$999

OPTIONS

Item #	Description	Retail
CVR36	Cover, Round Tan Polyester Ripstop with Drawstring	\$69
CF20-LOGSET	Log Set & Lava Rock	\$209



Stonefire Fire Table



Kenwood Fire Table with Glass Wind Guard

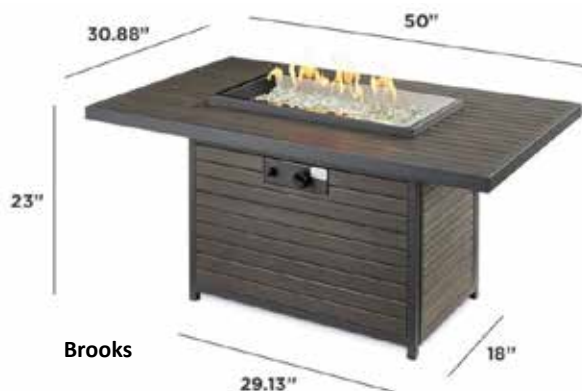
FIRE TABLE *(Ships ready for 20 lb propane tank.)*

Chat Height Fire Table with Graphite Grey Powder Coated Aluminum Framing and Elevated 12" x 24". Rectangular CF-1224 Stainless Steel Gas Burner (55,000 BTU) with Diamond Crystal Fire Gems. NG orifice included. Brooks and Kenwood include burner cover. Standard 20 lb. LP tank conceals in base (tank not included).

Item #	Description	Retail
BRK-1224	Brooks Fire Table w/ Taupe Composite Top and Base	\$1,499
KW-1224-K	Kenwood Fire Table w/ Brown Composite Top and Base	\$1,499

OPTIONS

Item #	Description	Retail
GLASSGUARD-1224	Glass Wind Guard for 12" x 24" (28 1/2" L x 15 1/2" W x 6" H)	\$239
CVR5132	Cover, Rectangular Tan Polyester Ripstop with Drawstring	\$84



RECTANGLE FIRE TABLE



60" Rectangle Fire Table

FIRE PIT TABLES

Heat output of 60,000 BTU's with propane or natural gas efficiently maintains temperatures. Maximum burn time of 22 hours on low and a minimum of 4 hours on high. Includes protective cover and lava rock.

Item #	Description	Retail
BLZ-60-FTABLE-LP	60" Rectangle Fire Table, LP <i>(Ships with 11 lb propane tank.)</i>	\$3,999
BLZ-60-FTABLE-NG	60" Rectangle Fire Table, NG	\$3,999

NOTE: Retail price INCLUDES freight. Ships direct from Blaze.



FEATURES

- Handcrafted in the USA
- Constructed of ultra-durable glass fiber reinforced concrete (GFRC)
- Heat, weather and rust resistant
- Brass burner is made in the USA
- CSA Certified
- Blaze exclusive phantom (PHTM) color finish which will complete any backyard
- Includes protective cover and lava rock
- Heat output 60,000 BTUs Propane (11 lbs. internal) or Natural Gas
- Includes 10' LP hose with regulator and empty 11 lb. tank or 8' NG hose with quick connect socket
- 4-22 hour burn time (hi/low with 11 lb. tank)
- Key valve and match lit ignition
- Offers our tallest, brightest, and fullest flame.
- Safe for use on a wooden deck
- 5-year limited warranty on body, 2-year limited warranty on internal components
- Some variation in color and finish is to be expected – Blaze is not responsible for damage that occurs due to freezing weather

FIRE BOWLS



38" Fire Bowl

FIRE TABLE

Heat output of 120,000 BTU's with propane or 85,000 BTU's with Natural Gas. 3.5 to 7 hour burn time, depending on setting (low/high) with a 20 lb propane tank. Includes brass burner, lava rock, storage cover, and leveling feet.

Item #	Description	Retail
BLZ-38-FBOWL-LP	38" Fire Bowl, LP	\$3,999
BLZ-38-FBOWL-NG	38" Fire Bowl, NG	\$3,999

OPTIONS

Item #	Description	Retail
BLZ-38-FBOWL-LP-TCOVER	Propane Tank Cover (Doubles as an End Table)	\$550

NOTE: Retail price INCLUDES freight. Ships direct from Blaze.

FEATURES

- Handcrafted in the USA
- Constructed of ultra-durable glass fiber reinforced concrete (GFRC) with inner steel frame
- Heat, weather and rust resistant
- Brass burner is made in the USA
- CSA Certified
- Blaze exclusive phantom (PHTM) color finish which will complete any outdoor space
- Includes fire bowl leveling feet, brass burner, lava rock filler, and storage cover
- Heat output 120,000 BTU's with Propane (11 lbs. internal) or 85,000 BTU's with Natural Gas
- Includes 8' LP hose with regulator or 8' NG hose with quick connect socket
- Propane option: requires a 20 lbs. propane tank (not included) that must sit outside of the fire table
- 3.5 – 7 hour burn time (high/low) for a 20 lbs. tank
- Battery operated push button ignition
- Safe for use on a wooden deck
- 5-year limited warranty on body, 2 year limited warranty on internal components
- Some variation in color and finish is to be expected – Blaze is not responsible for damage that occurs due to freezing weather