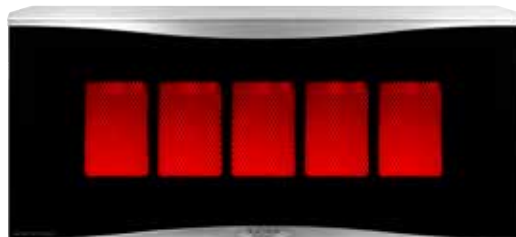




BROMIC OUTDOOR HEATING

ELECTRIC | GAS

REV: 5/24/24



LITERATURE

Item #	Description
MKT00007	Full Line Catalog
MKT00017	Tungsten Smart Heat, Gas
MKT00018	Smart Heat Platinum, Gas
MKT00011	Eclipse Smart Heat, Electric
MKT00010	Eclipse Smart Heat, Portable
MKT00012	Tungsten Smart Heat, Electric

TABLE OF CONTENTS

BROMIC - ELECTRIC

Tungsten Smart-Heat	2
Platinum Smart-Heat	4
Platinum Smart-Heat Marine Grade	6
Eclipse Smart-Heat.....	8
Eclipse Smart-Heat Portable	8

BROMIC - GAS

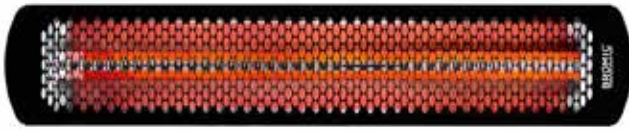
Tungsten Smart-Heat	10
Platinum Smart-Heat	12
Tungsten Smart-Heat Portable.....	14

CONTROLLERS

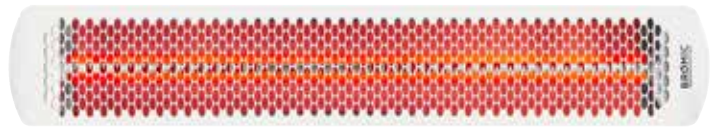
On/Off.....	16
Dimmer.....	17

HEAT PLANNING GUIDE

Heat Planning Guide Form.....	18
-------------------------------	----



Tungsten Smart-Heat Electric, Black

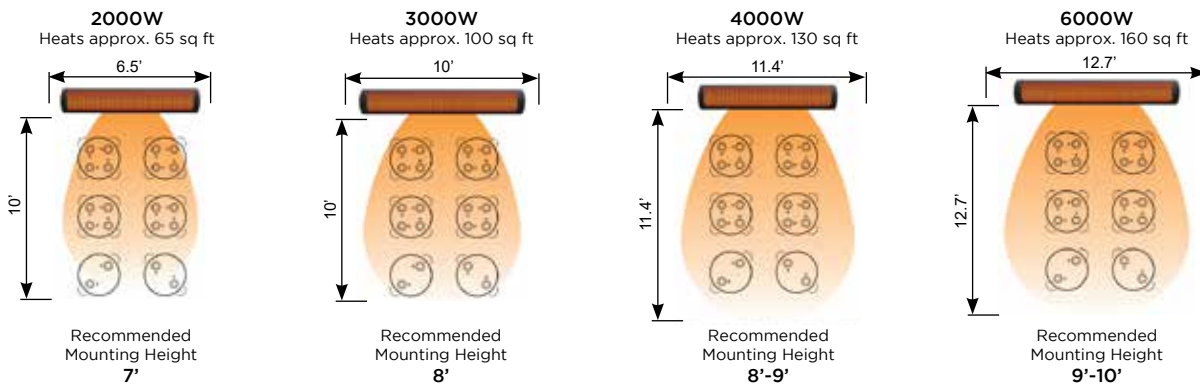
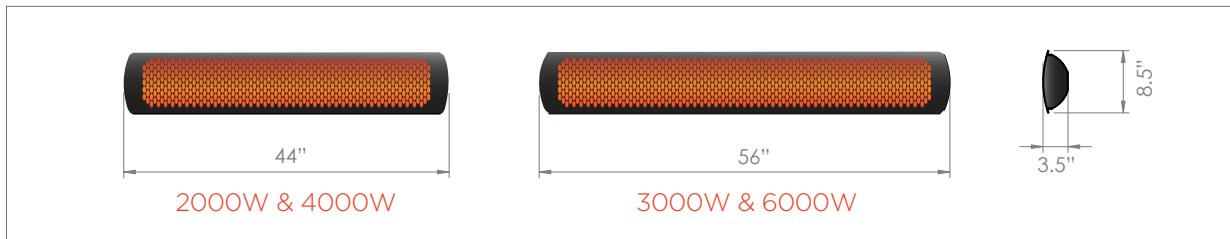


Tungsten Smart-Heat Electric, White

FEATURES

- **High Performance Mesh Screen:** The Tungsten’s unique front cover manipulates infrared energy to maximize performance while achieving a superior spread of heat.
- **Ultra-Durable Quartz Element:** Translucent fused quartz houses a thick steel coil to create a high-output, durable element that emits a soft red glow.
- **Parabolic Specular Reflector (PSR):** A mirror-finish anodized rear reflector directs lost infrared energy back towards the target, maximizing performance and efficiency.
- **Precise Directional Heating:** Accurately alter coverage through simple bracket adjustment. (Mounting Brackets Included)

DIMENSIONS



CEILING MOUNT OPTIONS

Item #	Description	Pair With	Color	Framing Dimensions	Retail
BH8180010	Recess Kit	2000W & 4000W	Black	20”H x 14.5”W x 46”L	\$704
BH8180096	Recess Kit	2000W & 4000W	White	20”H x 14.5”W x 46”L	\$789
BH8180011	Recess Kit	3000W & 6000W	Black	20”H x 14.5”W x 57.5”L	\$783
BH8180095	Recess Kit	3000W & 6000W	White	20”H x 14.5”W x 57.5”L	\$874
BH8180012	Suspension Kit, Black (3’ extension to drop the heaters 3’ from the ceiling)				\$420
BH3130006	Suspension Kit, White (3’ extension to drop the heaters 3’ from the ceiling)				\$432

TUNGSTEN SMART-HEAT ELECTRIC

208, 240 & 277 VOLTS



Scan QR Code to view details on Tungsten Smart-Heat

TUNGSTEN SMART-HEAT ELECTRIC

Heaters include mounting brackets that can be used for both wall and ceiling installations. Additional ceiling mount options available, see page 2. Recommended to be purchased with Bromic Controls.

208V

Item #	Watts	Color	Volts	Amps	Element	Retail
BH0420034	4000W	Black	208V	19.23A	Dual	\$925
BH0420037	4000W	White	208V	19.23A	Dual	\$948
BH0420035	6000W	Black	208V	28.85A	Dual	\$1,073
BH0420036	6000W	White	208V	28.85A	Dual	\$1,095
BH8180017	2000W	-	208V	9.62A	Replacement	\$200
BH8180016	3000W	-	208V	14.42A	Replacement	\$240

240V

Item #	Watts	Color	Volts	Amps	Element	Retail
BH0420030*	2000W	Black	240V	8.30A	Single	\$704
BH0420031	3000W	Black	240V	12.50A	Single	\$840
BH0420032	4000W	Black	240V	16.60A	Dual	\$874
BH0420012	4000W	White	240V	16.60A	Dual	\$897
BH0420033	6000W	Black	240V	25.00A	Dual	\$1,022
BH0420013	6000W	White	240V	25.00A	Dual	\$1,044
BH8180001	2000W	-	240V	8.30A	Replacement	\$200
BH8180002	3000W	-	240V	12.50A	Replacement	\$240

277V

Item #	Watts	Color	Volts	Amps	Element	Retail
BH0420042	4000W	Black	277V	14.44A	Dual	\$925
BH0420044	4000W	White	277V	14.44A	Dual	\$948
BH0420043	6000W	Black	277V	21.66A	Dual	\$1,073
BH0420045	6000W	White	277V	21.66A	Dual	\$1,095
BH8180015	2000W	-	277V	7.22A	Replacement	\$200
BH8180014	3000W	-	277V	10.83A	Replacement	\$240

CONTROLS (Optional - See page 16-17 for more details.)

Item #	Description	Retail
BH3130010	ON/OFF Wireless Switch (Includes controller with timer and wireless remote.)	\$369
BH3130011	Dimmer Wireless Switch (Includes controller and wireless remote.)	\$1,024
BH3130012	42 Channel Remote, for use with Dimmer Switch Only (Control up to 6 zones from 1 controller. May control up to 6 heaters per zone.)	\$194
BH3130097	Smart Heat Link RS232 Plug In (For integration with Home Management Systems) (Requires Bromic Controls)	\$320

*Special Order See Ceiling Mount Options on page 2.



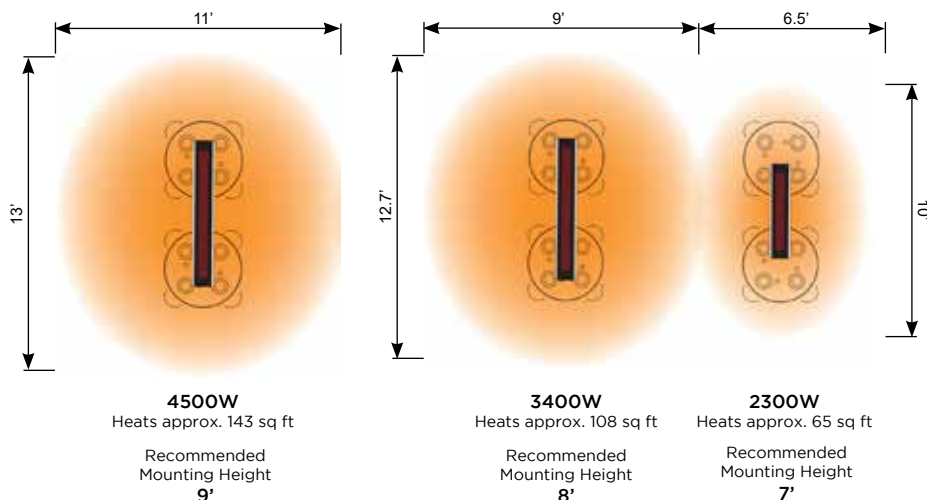
Platinum Smart-Heat Electric, Black



Platinum Smart-Heat Electric, White

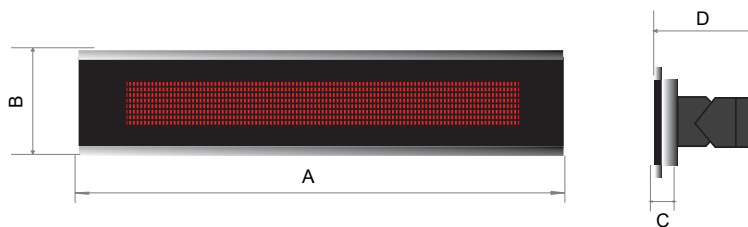
FEATURES

- **Tinted Glass-Ceramic Screen:** The Platinum's signature screen spreads comfort evenly across an area while minimizing light emission.
- **Wafer-Thin Design:** Wall, ceiling and flush-mounting options allow subtle placement of this compact heater practically anywhere!
- **Subtle Aesthetics:** Elegantly understated to create comfort while blending into the environment.
- **Precise Directional Heating:** Accurately alter coverage through simple bracket adjustment. (Mounting Bracket Included)



DIMENSIONS

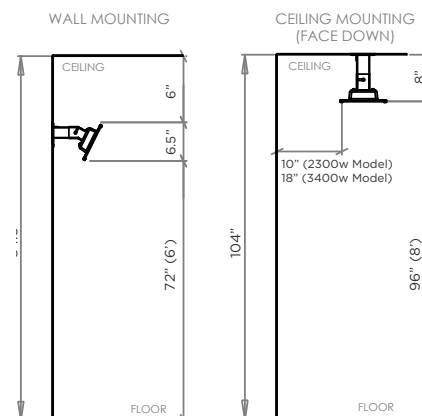
Model	A	B	C	D
2300W	33"	7"	2"	8"
3400W	50.2"	7"	2"	8"
4500W	53.2"	10.1"	2"	8"



CEILING MOUNT OPTIONS (Stainless Steel)

Item #	Description	Pair With	Retail
BH3130017	Recess Kit	2300W	\$448
BH3130027	Recess Kit	3400W	\$531
BH3623000	Recess Kit	4500W	\$606
BH3623009*	Low Clearance Recess Kit	2300W	\$1,103
BH3623008	Low Clearance Recess Kit	3400W	\$1,172
BH3623012	Low Clearance Recess Kit	4500W	\$1,559
BH3130023	Suspension Kit, 24"	2300W & 3400W	\$334
BH3130024	Suspension Kit, 48"	2300W & 3400W	\$436
BH3623020	Suspension Kit, 24"	4500W	\$334
BH3623021	Suspension Kit, 48"	4500W	\$436

MINIMUM INSTALLATION CLEARANCES



*Special Order

PLATINUM SMART-HEAT ELECTRIC

208 & 240 VOLTS



PLATINUM SMART-HEAT ELECTRIC

Heaters include mounting brackets that can be used for both wall and ceiling installations. Additional ceiling mount options available, see page 4. Recommended to be purchased with Bromic Controls.

208V

Item #	Watts	Color	Volts	Amps	Dimensions	Retail
BH0320019*	2300W	Black	208V	11.1A	33"W x 7"H	\$1,289
BH0320020*	2300W	White	208V	11.1A	33"W x 7"H	\$1,402
BH0320021	3400W	Black	208V	16.3A	50.2"W x 7"H	\$1,861
BH0320022	3400W	White	208V	16.3A	50.2"W x 7"H	\$2,014
BH3622004	4500W	Black	208V	21.6A	53.2"W x 10.1"H	\$2,338
BH3622005	4500W	White	208V	21.6A	53.2"W x 10.1"H	\$2,490

240V

Item #	Watts	Color	Volts	Amps	Dimensions	Retail
BH0320003	2300W	Black	240V	9.6A	33"W x 7"H	\$1,289
BH0320007	2300W	White	240V	9.6A	33"W x 7"H	\$1,402
BH0320005	3400W	Black	240V	14.2A	50.2"W x 7"H	\$1,861
BH0320008	3400W	White	240V	14.2A	50.2"W x 7"H	\$2,014
BH3622000	4500W	Black	240V	18.8A	53.2"W x 10.1"H	\$2,338
BH3622001	4500W	White	240V	18.8A	53.2"W x 10.1"H	\$2,490

CONTROLS *(Optional - See page 16-17 for more details.)*

Item #	Description	Retail
BH3130010	ON/OFF Wireless Switch (Includes controller with timer and wireless remote.)	\$369
BH3130011	Dimmer Wireless Switch (Includes controller and wireless remote.)	\$1,024
BH3130012	42 Channel Remote, for use with Dimmer Switch Only (Control up to 6 zones from 1 controller. May control up to 6 heaters per zone.)	\$194
BH3130097	Smart Heat Link RS232 Plug In (For integration with Home Management Systems) (Requires Bromic Controls)	\$320

See Ceiling Mount Options on page 4.

*Special Order

Scan QR Code to view details on
Traditional & Low Clearance Platinum Recess Kits



PLATINUM SMART-HEAT ELECTRIC

MARINE GRADE (316 Stainless Steel)



BROMIC
HEATING



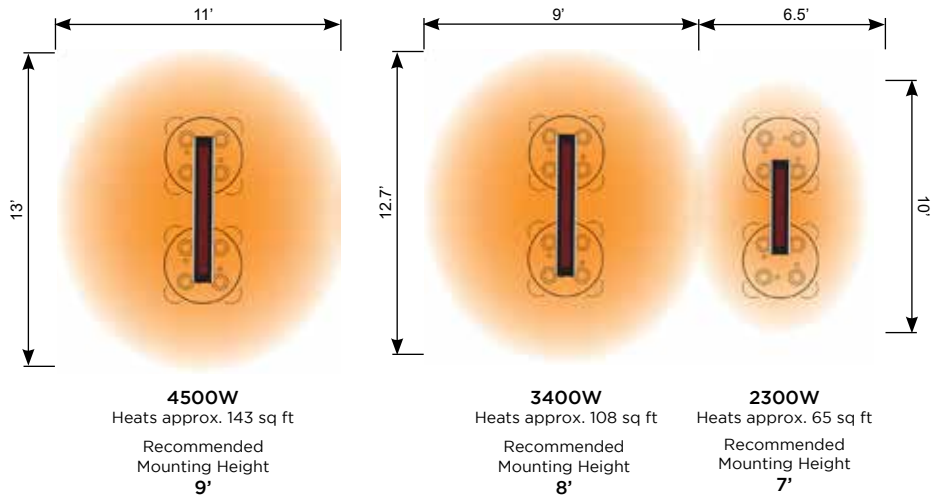
Platinum Smart-Heat Electric, Black



Platinum Smart-Heat Electric, White

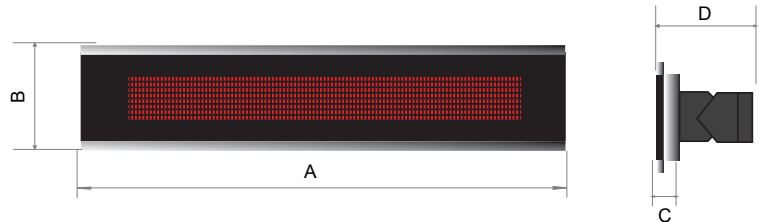
FEATURES

- **Tinted Glass-Ceramic Screen:** The Platinum's signature screen spreads comfort evenly across an area while minimizing light emission.
- **Wafer-Thin Design:** Wall, ceiling and flush-mounting options allow subtle placement of this compact heater practically anywhere!
- **Subtle Aesthetics:** Elegantly understated to create comfort while blending into the environment.
- **Precise Directional Heating:** Accurately alter coverage through simple bracket adjustment. (Mounting Bracket Included)



DIMENSIONS

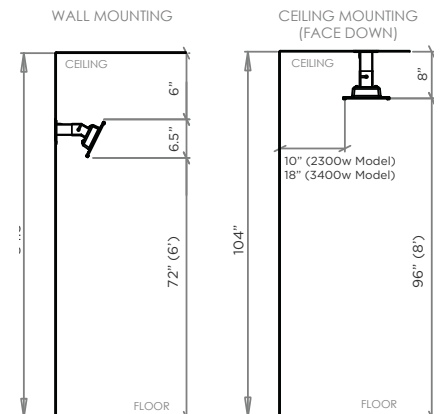
Model	A	B	C	D
2300W	33"	7"	2"	8"
3400W	50.2"	7"	2"	8"
4500W	53.2"	10.1"	2"	8"



CEILING MOUNT OPTIONS (Marine Grade 316 Stainless Steel)

Item #	Description	Pair With	Retail
BH3130034*	Recess Kit	2300W	\$722
BH3130035	Recess Kit	3400W	\$859
BH3623001	Recess Kit	4500W	\$990
BH3623011*	Low Clearance Recess Kit	2300W	\$1,459
BH3623010	Low Clearance Recess Kit	3400W	\$1,608
BH3623013	Low Clearance Recess Kit	4500W	\$2,382
BH3130046*	Suspension Kit, 24"	2300W & 3400W	\$531
BH3130047*	Suspension Kit, 48"	2300W & 3400W	\$692
BH3623022	Suspension Kit, 24"	4500W	\$531
BH3623023	Suspension Kit, 48"	4500W	\$692

MINIMUM INSTALLATION CLEARANCES



*Special Order



MARINE GRADE (316 Stainless Steel)

208 & 240 VOLTS

PLATINUM SMART-HEAT MARINE GRADE (Marine Grade 316 Stainless Steel)

Marine Grade Platinum heaters are made with high quality AISI316-grade stainless-steel. These will provide superior resistance to the corrosive elements that marine and coastal environments demand. Includes the mounting bracket for both wall and ceiling installations. Additional mounting options available, see page 6. Recommended to be purchased with Bromic Controls.

208V

Item #	Watts	Color	Volts	Amps	Dimensions	Retail
BH0320023*	2300W	Black	208V	11.1A	33"W x 7"H	\$3,088
BH0320024*	2300W	White	208V	11.1A	33"W x 7"H	\$3,161
BH0320025*	3400W	Black	208V	16.3A	50.2"W x 7"H	\$4,060
BH0320026*	3400W	White	208V	16.3A	50.2"W x 7"H	\$4,127
BH3622006*	4500W	Black	208V	21.6A	53.2"W x 10.1"H	\$4,906
BH3622007*	4500W	White	208V	21.6A	53.2"W x 10.1"H	\$4,978

240V

Item #	Watts	Color	Volts	Amps	Dimensions	Retail
BH0320015*	2300W	Black	240V	9.6A	33"W x 7"H	\$3,088
BH0320017*	2300W	White	240V	9.6A	33"W x 7"H	\$3,161
BH0320016	3400W	Black	240V	14.2A	50.2"W x 7"H	\$4,060
BH0320018	3400W	White	240V	14.2A	50.2"W x 7"H	\$4,127
BH3622002	4500W	Black	240V	18.8A	53.2"W x 10.1"H	\$4,906
BH3622003	4500W	White	240V	18.8A	53.2"W x 10.1"H	\$4,978

CONTROLS (Optional - See page 16-17 for details.)

Item #	Description	Retail
BH3130010	ON/OFF Wireless Switch (Includes controller with timer and wireless remote.)	\$369
BH3130011	Dimmer Wireless Switch (Includes controller and wireless remote.)	\$1,024
BH3130012	42 Channel Remote, for use with Dimmer Switch Only (Control up to 6 zones from 1 controller. May control up to 6 heaters per zone.)	\$194
BH3130097	Smart Heat Link RS232 Plug In (For integration with Home Management Systems) (Requires Bromic Controls)	\$320

See Ceiling Mount Options on page 6.

*Special Order

Scan QR Code to view
details on
**Traditional &
Low Clearance
Platinum Recess Kits**

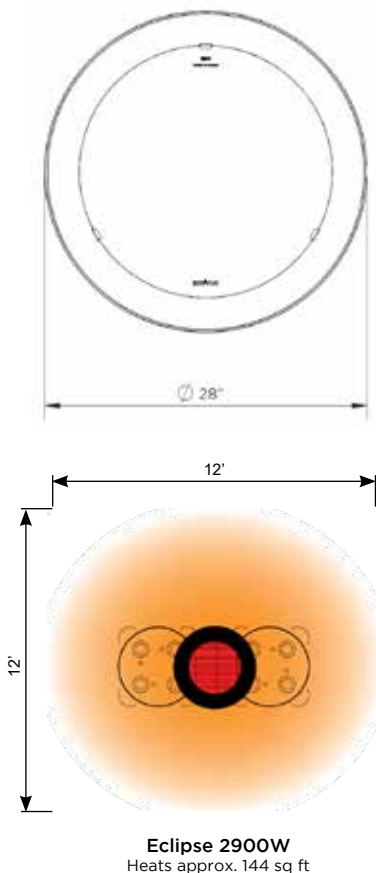




FEATURES

- **Unique Design:** Elegantly understated design that complements any design-focused outdoor environment.
- **Precision Control:** Accurately adjust the heat output for complete control over the level of comfort.
- **Dimmable Light:** Complete flexibility over level of brightness for the right amount of ambience.
- **Ceramic Screen:** Spreads heat evenly across any area while minimizing light emission from the heating element.

DIMENSIONS



Scan QR Code
to view **Eclipse
Wall Mount
Brochure**



Scan QR Code
to view
**Eclipse Portable
Brochure**

ECLIPSE SMART-HEAT ELECTRIC - PENDANT

Reimagine the outdoors with the Ceiling Mount Eclipse Smart Heat Heater. Available in six unique mounting options, the Eclipse series adds style, warmth and light to design focused outdoor spaces. Includes Twin 8" Pole. **Recommended Pendant Dimmer Control sold separately.**



Item #	Model	Watts	Color	Volts	Amps	Dimensions	Retail
BH0920001-1	Pendant	2900W	Matte Black	240V	12.1A	28" Diameter	\$2,372

DIMMER CONTROL

Item #	Description	Retail
BH3230007	Pendant Dimmer Control (Recommend to use one pendant dimming controller per Eclipse heater.)	\$691
BH3623002-1	Master Remote for use with Eclipse Controls	\$194

CEILING MOUNT OPTIONS

Item #	Description	Retail
BH3230001	8" Straight Ceiling Pole	\$90
BH3230002	24" Straight Ceiling Pole	\$90
BH3230003	24" Twin Straight Ceiling Pole	\$144
BH3230004	24" Curved Ceiling Pole	\$144
BH3230005	48" Straight Ceiling Pole	\$144
BH3230006	61" Wall Mount Pole	\$191

ECLIPSE SMART-HEAT ELECTRIC - PORTABLE

Reimagine the outdoors with the Portable Eclipse Smart Heat Electric Portable heater. Featuring a striking, elegant design. This powerful heater will bring both warmth and light to design focused outdoor spaces. Includes Dimmer Control.

Item #	Model	Watts	Color	Volts	Dimension	Retail
BH0820001-1	Portable	2900W	Matte Black	240V	28" Diameter	\$4,519



TUNGSTEN SMART-HEAT GAS



Tungsten 300

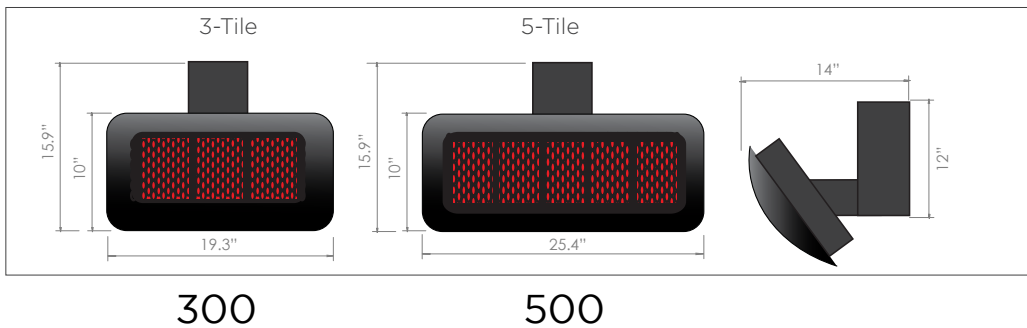


Tungsten 500

FEATURES

- **Bi-directional Easy-Pivot Arm:** 25° rotation each side.
- **Electronic Ignition:** One or multiple units can be switched on and off simultaneously from a single remote-located switch (non included).
- **Automatic Re-ignition:** Should the heater not re-ignite for any reason, the integrated “Flame Failure Safety Shut-off Control” turns the heater off immediately.
- **Universal Bracket:** Easy upgrade from 300 to 500 model.

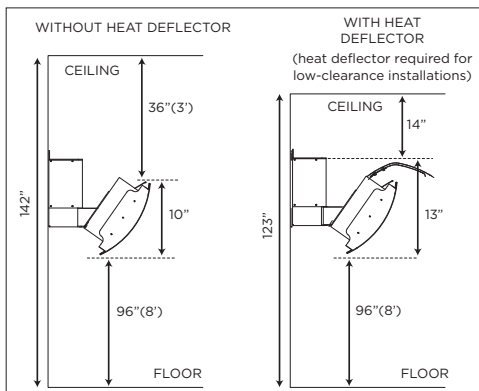
DIMENSIONS



300

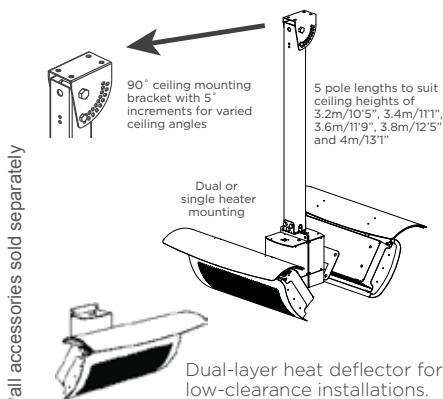
500

MINIMUM INSTALLATION CLEARANCES

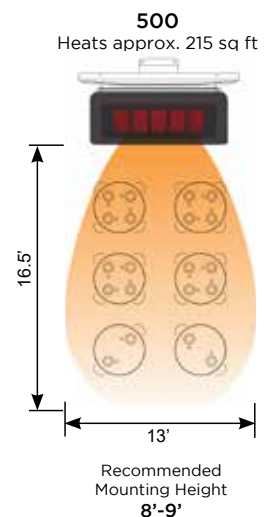
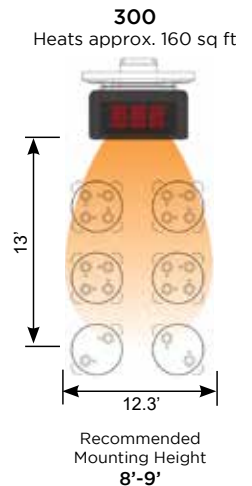


ACCESSORIES*

- Dual-directional ceiling pole
- Ceiling Pole Unit must be mounted 2.5m off the ground (8')
- Dual-layer heat deflector (See part numbers in table below)



*all accessories sold separately



TUNGSTEN SMART-HEAT GAS

Includes standard mounting bracket that can be used for both wall and ceiling, power cord for 110V outlet (requires 2 Amps of electricity to operate). Outlets may be controlled by a standard electrical switch. Multiple outlets and/or heaters may be controlled from 1 switch.

Item #	Model	BTU's	Volts	Amps	# of Burner Tiles	Fuel	Retail
BH0210001-1	300 - NG	26,000	110V	2A	3	NG	\$1,568
BH0210002-1	300 - LP	26,000	110V	2A	3	LP	\$1,568
BH0210003-1	500 - NG	43,000	110V	2A	5	NG	\$1,789
BH0210004-1	500 - LP	43,000	110V	2A	5	LP	\$1,789

CEILING MOUNTING OPTIONS *(Only available in Black)*

Item #	Description	Ceiling Height	Retail
BH3030003	9.69" Ceiling Mount Pole	10' 6"	\$311
BH3030004	13.62" Ceiling Mount Pole	10' 10"	\$311
BH3030005	17.56" Ceiling Mount Pole	11' 2"	\$311
BH3030006	25.43" Ceiling Mount Pole	11' 10"	\$311
BH3030007*	33.31" Ceiling Mount Pole	12' 6"	\$311
BH3030008	41.18" Ceiling Mount Pole	13' 1"	\$311

HEAT DEFLECTORS

Used to minimize the amount of ceiling clearance needed for a heater. See diagram on page 10.

Item #	Description	Retail
BH3030011	Heat Deflector - 300 Series Tungsten	\$292
BH3030012	Heat Deflector - 500 Series Tungsten	\$311

CONTROLS *(Optional)*

Item #	Description	Retail
BH3130010	ON/OFF Wireless Switch (Includes controller with timer and wireless remote.)	\$369
BH3130097	Smart Heat Link RS232 Plug In (For integration with Home Management Systems) (Requires Bromic Controls)	\$320

*Special Order

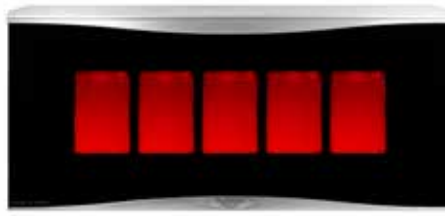
Scan QR Code to
view details on
**Tungsten
Smart-Heat Gas**



PLATINUM SMART-HEAT GAS



Platinum 300

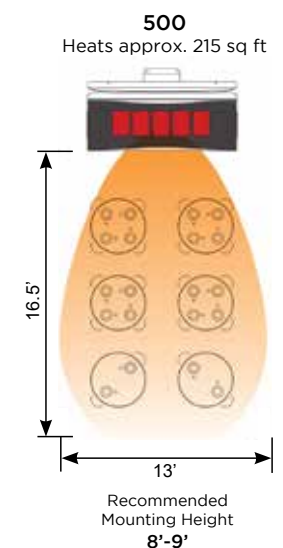
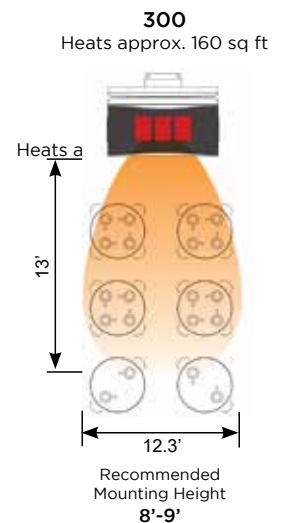
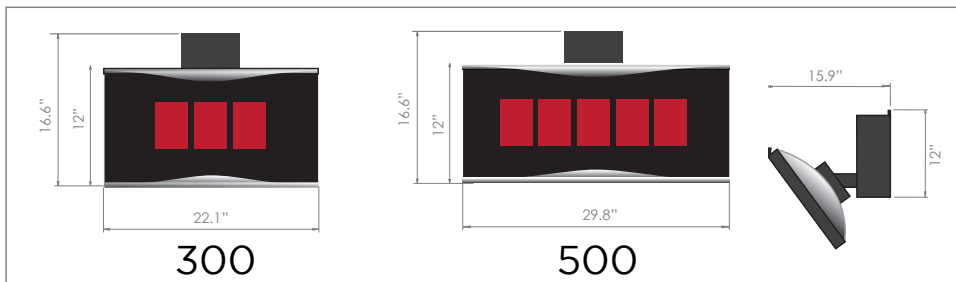


Platinum 500

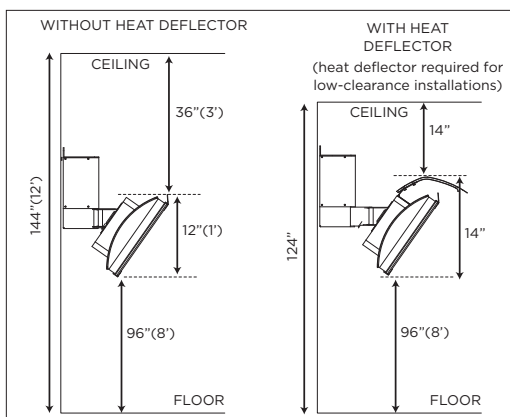
FEATURES

- **Tinted Glass-Ceramic Screen:** The Platinum's screen spreads comfort evenly across an area while emitting a soft red glow.
- **Ceramic Efficiency:** Slow-release ceramic burners efficiently combust gas to fuel the most environmentally friendly gas-fired heating method available.
- **Elegantly Subtle Design:** Equally at home as the stunning centerpiece or supporting from the sidelines.
- **Patented Direct Ignition:** Automated direct ignition eliminates the need for a pilot, resulting in instantaneous ignition.
- **Ultimate Wind Resistance:** Patented screen and ionization probe technology enables remarkable wind resistance, functioning reliably in winds of up to 11 mph.
- **Directional Control:** Easy pivot bracket offers adjustable heat direction and coverage.

DIMENSIONS



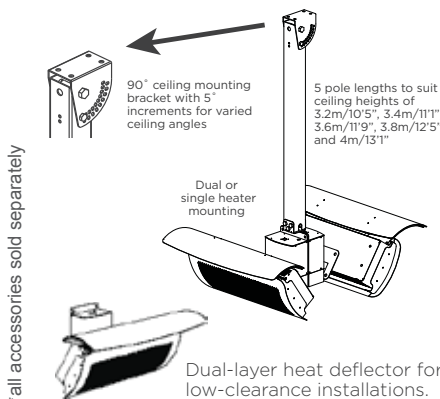
MINIMUM INSTALLATION CLEARANCES



*Non-residential indoor 2500mm

ACCESSORIES*

- Dual-directional ceiling pole
- Ceiling Pole Unit must be mounted 2.5m off the ground (8')
- Dual-layer heat deflector (See part numbers in table below)



*all accessories sold separately

PLATINUM SMART-HEAT GAS

Includes standard mounting bracket that can be used for both wall and ceiling, power cord for 110V outlet (requires 2 Amps of electricity to operate). Outlets may be controlled by a standard electrical switch. Multiple outlets and/or heaters may be controlled from 1 switch.

Item #	Model	BTU's	Volts	Amps	# of Burner Tiles	Fuel	Retail
BH0110001-1	300 - NG	23,600	110V	2A	3	NG	\$2,028
BH0110002-1	300 - LP	23,600	110V	2A	3	LP	\$2,028
BH0110003-1	500 - NG	39,800	110V	2A	5	NG	\$2,284
BH0110004-1	500 - LP	39,800	110V	2A	5	LP	\$2,284

See Control Option on page 236.

CEILING MOUNT OPTIONS (Only available in Black)

Item #	Description	Ceiling Height	Retail
BH3030003	9.69" Ceiling Mount Pole	10' 6"	\$311
BH3030004	13.62" Ceiling Mount Pole	10' 10"	\$311
BH3030005	17.56" Ceiling Mount Pole	11' 2"	\$311
BH3030006	25.43" Ceiling Mount Pole	11' 10"	\$311
BH3030007*	33.31" Ceiling Mount Pole	12' 6"	\$311
BH3030008	41.18" Ceiling Mount Pole	13' 1"	\$311

HEAT DEFLECTORS

Used to minimize the amount of ceiling clearance needed for a heater. See diagram on page 12.

Item #	Description	Retail
BH3030001-1	Heat Deflector - 300 Series Platinum	\$292
BH3030002-1	Heat Deflector - 500 Series Platinum	\$311

CONTROLS (Optional)

Item #	Description	Retail
BH3130010	ON/OFF Wireless Switch (Includes controller with timer and wireless remote.)	\$369
BH3130097	Smart Heat Link RS232 Plug In (For integration with Home Management Systems) (Requires Bromic Controls)	\$320

*Special Order

Scan QR Code to view details on
Platinum
Smart-Heat Gas



TUNGSTEN SMART-HEAT PORTABLE



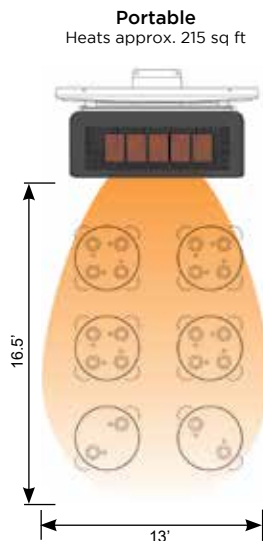
Controls



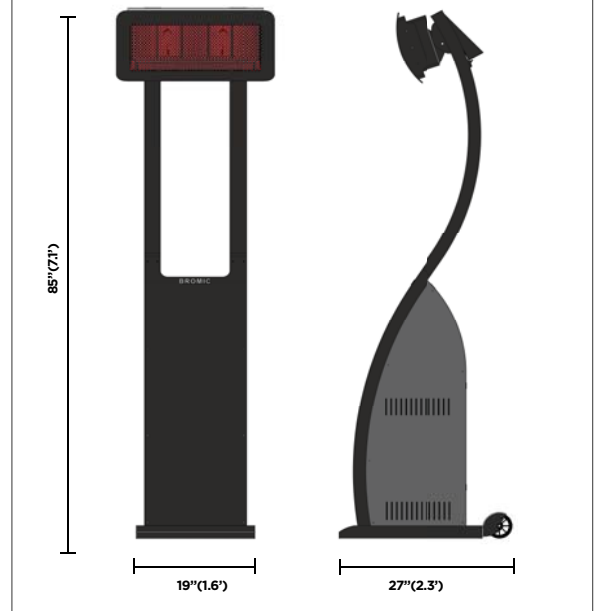
Built-in Wheels

FEATURES

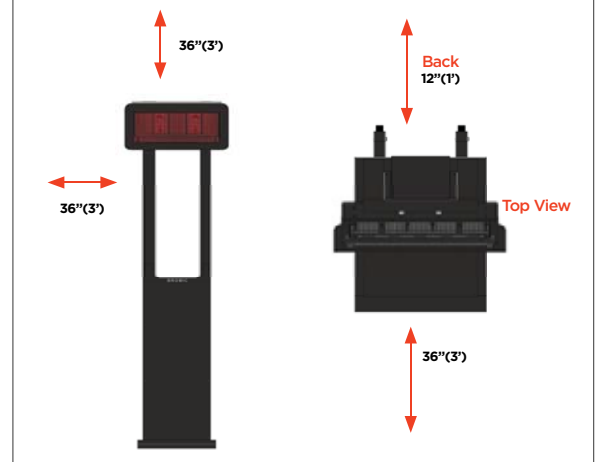
- **Heat Output:** The Tungsten Smart-Heat Portable delivers a widespread heat field.
- **Versatility:** Unique and patented adjustable heat control ensures comfortable heat.
- **Efficiency:** High intensity ceramic burner, delivering optimal heat with minimal heat loss.
- **Wind Resistance:** Specifically built to provide constant and consistent heat in any environment at wind speeds up to 8 mph.
- **Directional Heat:** Innovative adjustable tilting head ensures warmth goes exactly where it is needed.
- **Modular Design:** Functional and pragmatic, the Tungsten Smart-Heat Portable can easily be assembled, dismantled and stored.
- **Maneuverability:** Anti-tilt structure with built-in wheels for easy movement.
- **Soft Touch Ignite:** Battery activated repetitive spark Ignition



DIMENSIONS



MINIMUM INSTALLATION CLEARANCES



TUNGSTEN SMART-HEAT PORTABLE



TUNGSTEN SMART-HEAT PORTABLE GAS

Controlled by a push button battery igniter. Has a simple dial system to control low to high. Operates on a 20 lb propane tank (sold separately) that is concealed within the base.

Item #	Model	BTU's	# of Burners Tiles	Fuel	Retail
BH0510001	Tungsten Portable - LP	21,300 - 38,500	5	LP	\$2,130
BH0510005	Tungsten Portable - NG	21,300 - 38,500	5	NG	\$2,130

WEATHER COVER

Item #	Description	Retail
BH3030010	Weather Cover, Head Only	\$98

ON/OFF CONTROLLER



4-CHANNEL WIRELESS ON/OFF REMOTE

- Max allowance per controller is 6,800 Watts at 240V.
- Maximum of 2 heaters wired directly to the controller.
- The controller will be wired directly to the electrical service panel.
- The wireless remote must be installed within 100' of the controller.
- Includes a timer feature that will turn heaters off automatically. (Minimum of 1 hour and a maximum of 8 hours)



Scan QR Code for Manual

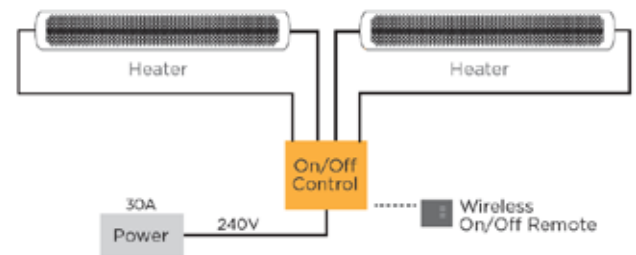
ON/OFF CONTROLS *(Optional)*

Item #	Description	Retail
BH3130010	ON/OFF Wireless Switch (Compatible with Tungsten and Platinum Gas and Electric units) (Includes controller with timer and wireless remote.)	\$369
BH3130097	Smart-Heat Link RS-232 Plug-in (For integration with Home Management Systems) (Requires Bromic Controls)	\$320

CONTROLLER DIMENSIONS



INSTALLATION OPTIONS



Scan QR Code to view Smart-Heat Switch Compatibility Chart



SPECIFICATIONS		ON/OFF CONTROLLER
Model	BH3130010	
Power Supply	110/230VAC, 31A max, Single Phase	
Max Output Power CHANNEL	3400W @ 230VAC 1500W @ 110VAC	
Reception Frequency	916MHz	
Operating Temperature Range	-4 to 122°F	
Protection Class	IP54	

HEATER TYPE	INSTALLATION OPTIONS
Electric (240V)	Option 1: 1 x 6000W
	Option 2: 1 x 4500W
	Option 3: 1 x 4000W
	Option 4: 2 x 3400W
	Option 5: 2 x 3000W
	Option 6: 2 x 2300W
	Option 7: 2 x 2000W
Gas	Option 1: 1 x Gas Heater per output
	Option 2: 2 x Gas Heaters per output

DIMMER CONTROLLER



7-CHANNEL WIRELESS DIMMER REMOTE

- Max allowance per controller is 6,800 Watts at 240V.
- Maximum of 2 heaters wired directly to the controller.
- The controller will be wired directly to the electrical service panel.
- The wireless remote must be installed within 100' of the controller.



Scan QR Code for Manual

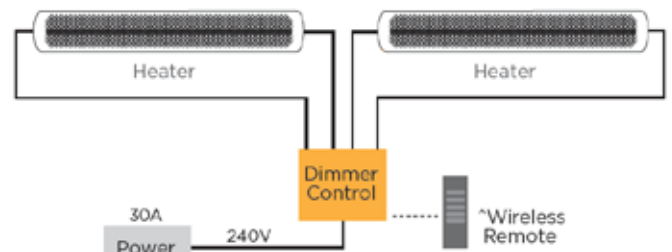
DIMMER CONTROLS *(Optional)*

Item #	Description	Retail
BH3130011	Dimmer Wireless Switch, All Electric Heaters (Compatible with Tungsten and Platinum Electric units. Includes controller and wireless remote.)	\$1,024
BH3130012	42 Channel Remote, for use with Dimmer Switch Only (Control up to 6 zones from 1 controller. May control up to 6 heaters per zone.)	\$194
BH3130097	Smart-Heat Link RS232 Plug In (For integration with Home Management Systems) (Requires Bromic Controls)	\$320

CONTROLLER DIMENSIONS



INSTALLATION OPTIONS



Scan QR Code to view Smart-Heat Switch Compatibility Chart



SPECIFICATIONS	DIMMER
Model	BH3130011
Power Supply	110/277VAC, 50/60Hz (29A max)
Max Output Power CHANNEL	6800W @ 277VAC (25A) 6800W @ 240VAC (28.5A) 3080W @ 110VAC (28A)
Reception Frequency	916MHz
Operating Temperature Range	-4 to 86°F
Maximum Remote Memorized	42
Protection Class	IP54

HEATER TYPE	INSTALLATION OPTIONS
Electric (240V)	Option 1: 1 x 6000W
	Option 2: 1 x 4500W
	Option 3: 1 x 4000W
	Option 4: 2 x 3400W
	Option 5: 2 x 3000W
	Option 6: 2 x 2000W
	Option 7: 2 x 2300W

HEAT PLANNING GUIDE

Answer these questions to help plan out your Bromic Heating project.

1) How big is the space you are looking to heat? (LxW)

2) What are you trying to heat? Entire space Focus on a few areas

3) Can you supply plans, pictures, or drawings of the space? Yes No

4) Is your space covered or open?

COVERED

Ceiling Type: Pitched/Vaulted Flat

Ceiling Height:

Ceiling Material:

OPEN

What are you mounting to?

5) Select Heat Type, Electric or Gas/Mounting/Controls:

ELECTRIC

Voltage Supply: 208 240 277

Phase: Single Phase (1PH)

Mounting: Surface → If Surface, choose: Wall Ceiling

Recessed → If Recessed, specify color:

Controls: On/Off Dimming Capability

Is there a home automation system present? Yes No

GAS (Covered areas need a minimum of 10.5' ceilings)

Fuel Type: NG LP

Surface Mount: Wall Ceiling

Portable: Yes No

Contact Name: Contact E-mail:

Contact Phone: Project Name: